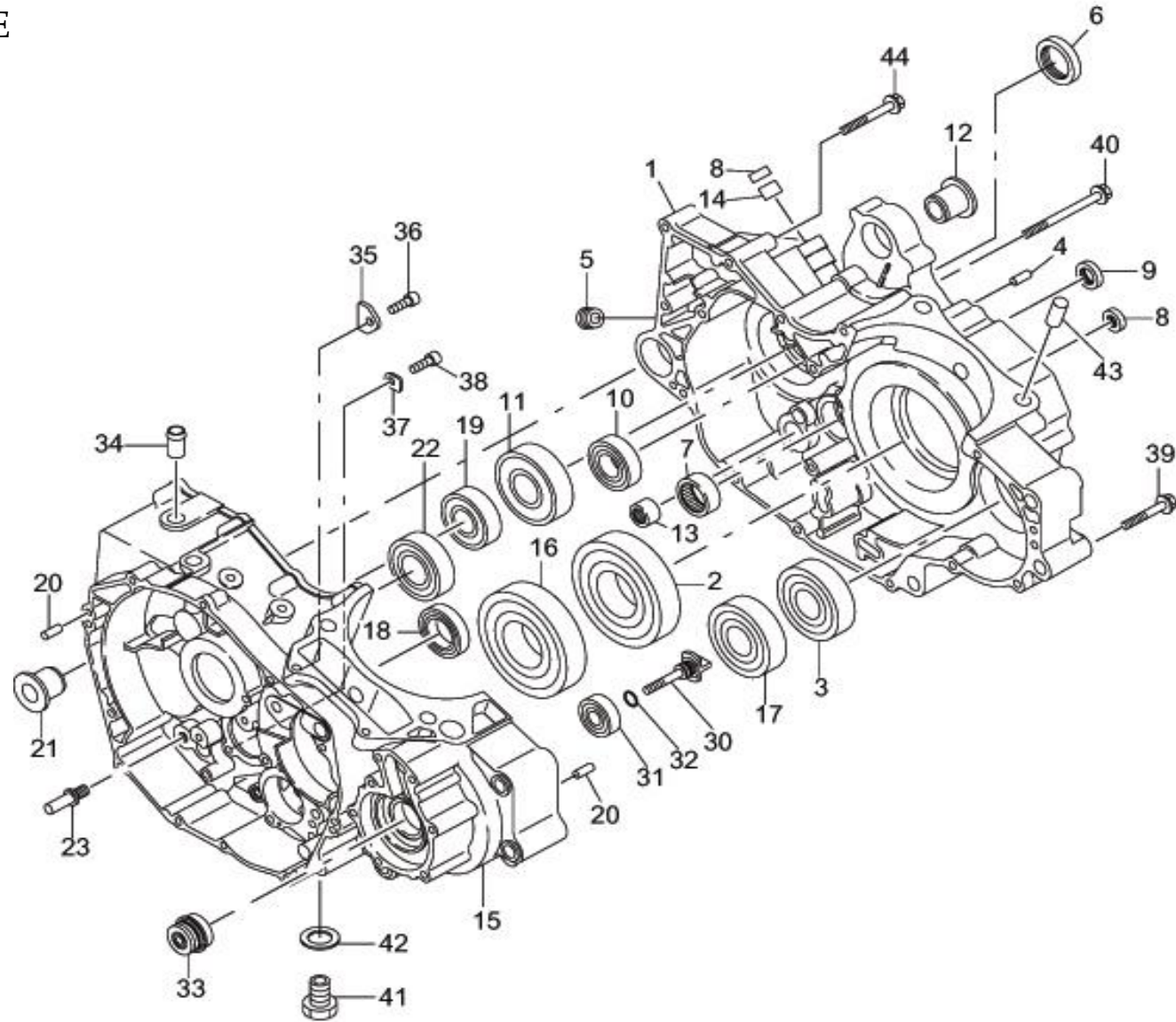
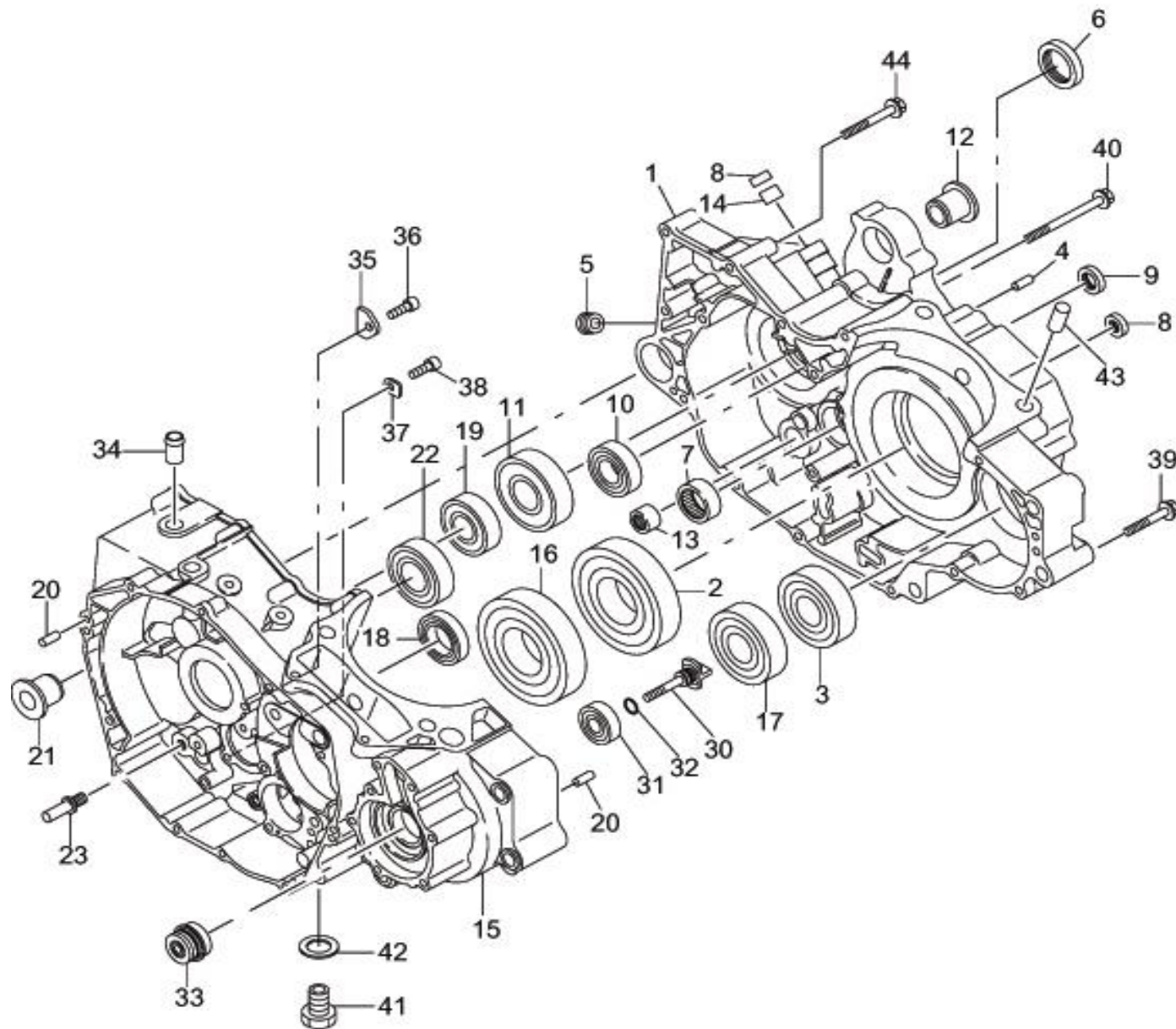


1. CRANKCASE



Item	Part-No.	DL-Part No.	Part Name	Specification	Q'ty	Note
1. CRANKCASE						
*1	290-10301-00		CRANKCASE ASSY.	Incl. 2 ~ 23,30 ~ 40	1	
2	060-03502-21	A010056-00	BALL BEARING	3TMB-6308	1	
3	060-02501-70	A010063-00	BALL BEARING	TMB305X77 C3	1	
4	031-00600-10		DOWEL PIN		2	
5	235-15421-03		BLIND PLUG	PT1/8	1	
6	044-02500-70	A030036-00	OIL SEAL	TB25X38X7	1	
7	061-01300-00	A010061-00	NEEDLE BEARING	HK2512	1	
8	044-01200-30	A030037-00	OIL SEAL	KC12X18X5	2	
9	044-01300-20	A030038-00	OIL SEAL	TC13X22X5	1	
10	060-02001-50	A010026-00	BALL BEARING	6004LU	1	
11	060-02501-10	A040065-03	BALL BEARING	6305LU	1	
12	283-16401-03		COLLAR		1	
13	061-02500-10	A010060-00	NEEDLE BEARING	HK1312	1	
14	060-21200-10		BEARING (RELEASE)		1	
16	060-03502-21	A010056-00	BALL BEARING	3TM-6308	1	
17	060-02501-70	A010063-00	BALL BEARING	TMB305X77 C3	1	
18	060-02501-20	A010062-00	BALL BEARING	6905	1	
19	060-02000-20	A010064-00	BALL BEARING	6204	1	
20	031-00600-10		DOWEL PIN		4	
21	283-16401-03		COLLAR		1	
22	060-02501-30	A010059-00	BALL BEARING	TMB205	1	
23	257-88901-03		STOPPER PIN		1	
*30	283-55002-01		WATER PUMP SHAFT COMPL.	Incl. 31,32	1	

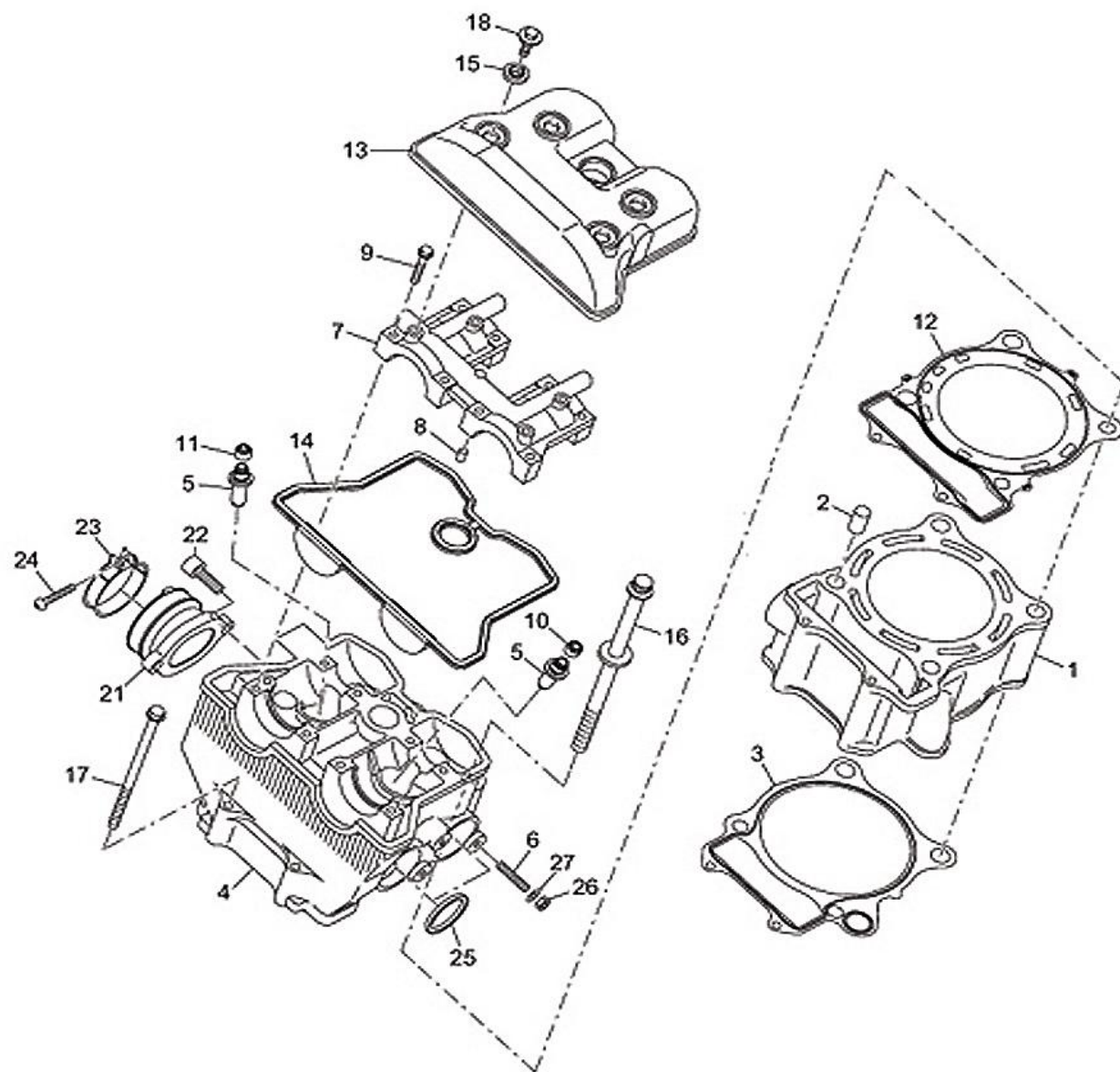
1. CRANKCASE



1. CRANKCASE

31	060-01200-60	A010058-00	BALL BEARING	6201DU2	1
32	006-26100-90	A040036-00	"O" RING	O-R8.8X1.9	1
33	257-56201-01	A030039-00	MECHANICAL SEAL COMPL.	WF58X13X1.8	1
34	132-97KA0-60		PIPE-AIR BREATHER		1
35	283-15503-03		STOPPER PLATE		1
36	011-90600-90		BOLT (SOCKET HEAD)	M6×16mm	1
37	283-15504-03		STOPPER PLATE B		2
38	011-90600-50		BOLT (SOCKET HEAD)	M6×12mm	2
39	011-00605-20		FLANGE BOLT	M6×40mm	7
40	011-00605-30		FLANGE BOLT	M6×75mm	8
41	283-69301-13		PLUG (MAGNETO)		1
42	021-11400-20		GASKET		1
43	031-51500-10		PIPE KNOCK	For M11	2
44	011-00605-40		FLANGE BOLT	M6×50mm	1

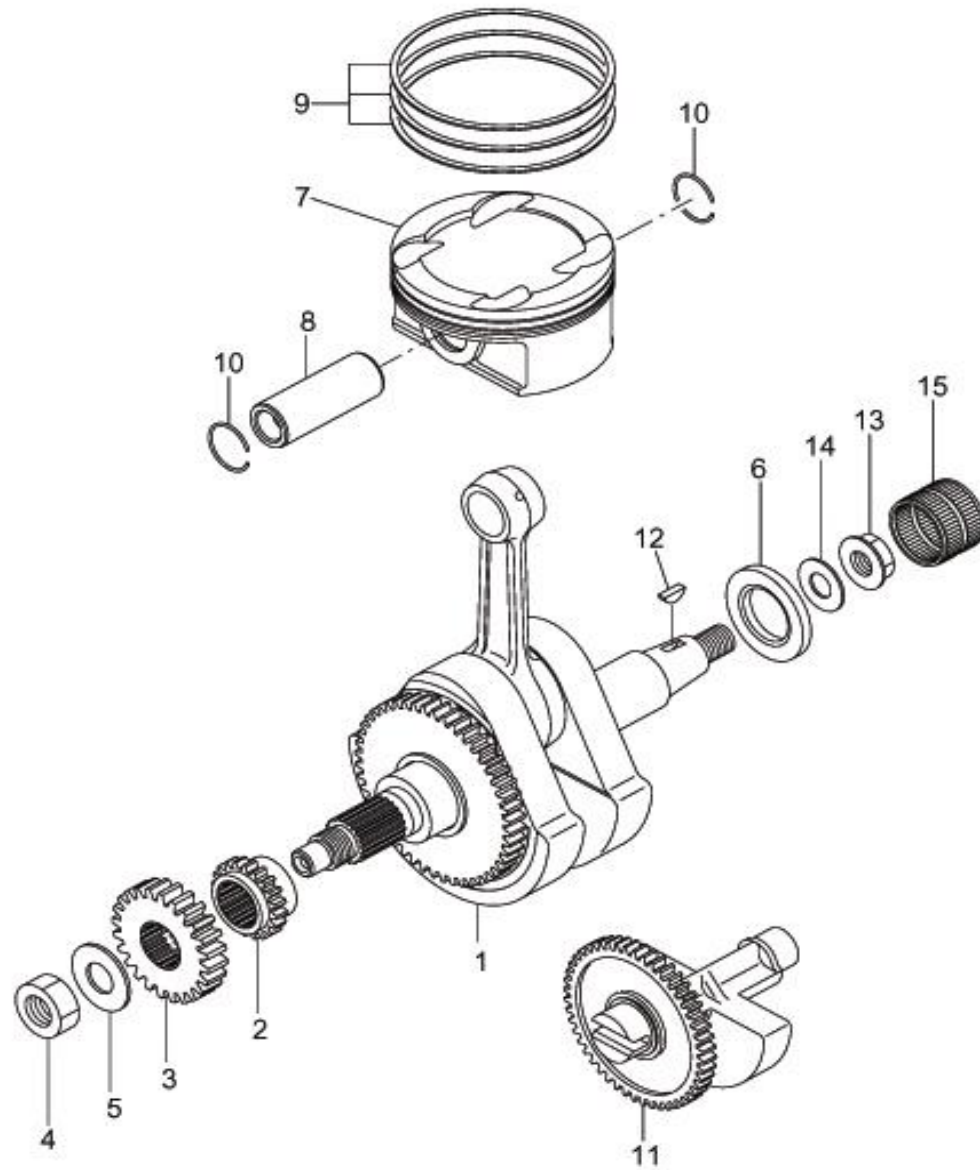
2. CYLINDER



2. CYLINDER

1	290-12401-01		CYLINDER COMPL.		1
2	031-51500-10		PIPE KNOCK	For M11	2
3	283-15201-13	E140014-00	GASKET (CYLINDER)		1
*4	290-13002-00		CYLINDER HEAD ASSY.	Incl. 5 ~ 11	1
5	283-14202-03		GUIDE VALVE		4
6	010-50804-01		STUD		4
8	980-40081-10		STRAIGHT PIN	For M6	2
9	011-00605-20		FLAGNE BOLT	M6×40mm	8
10	283-16001-03		SEAL-VALVE		2
11	283-15901-03		SEAL-INTAKE VALVE		2
12	290-15102-01	E140006-00	GASKET COMPL. (HEAD)		1
13	290-36301-03		HEAD COVER		1
14	283-36101-13		"O" RING (HEAD COVER)		1
15	283-36001-03		RUBBER MOUNT		4
16	283-16201-03		BOLT AND WASHER ASSY.	M11×198mm	4
17	011-00604-10		FLANGE BOLT	M6×140mm	2
18	283-36201-03		BOLT	M6×14mm	4
21	283-65001-01		ADAPTER COMPL.		1
22	011-90800-20		BOLT(SOCKET HEAD)	M8×20mm	2
*23	283-65901-00		BAND ASSY. (ADAPTER)	Incl. 24	1
24	004-31043-00		SCREW, PANHEAD	M4×30mm	1
25	283-36901-01		GASKET COMPL. (EXHAUST)		2
26	017-20800-20		NUT		4
27	003-20080-00		SPRING WASHER		4

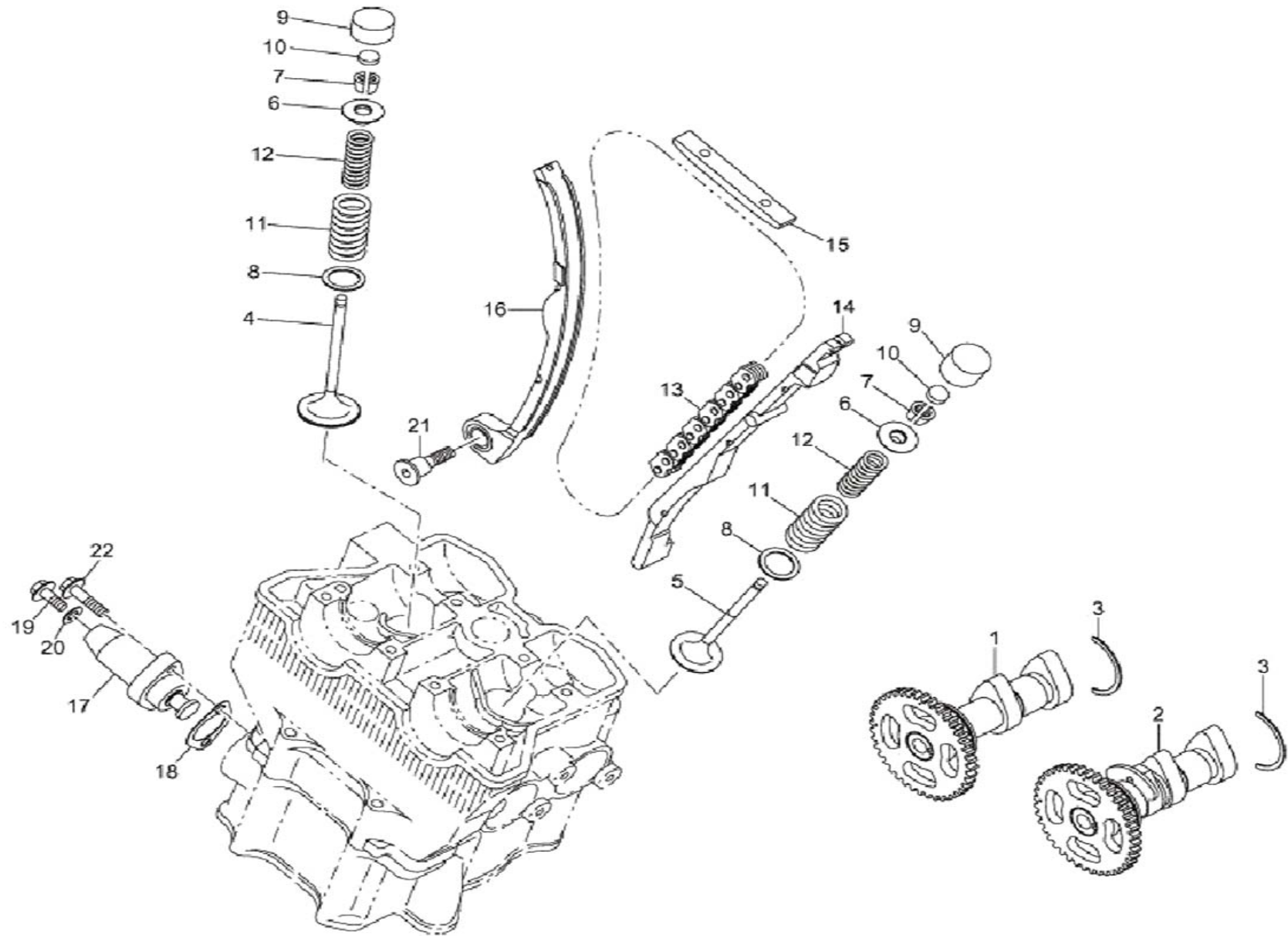
3. CRANKSHAFT & PISTON



3. CRANKSHAFT & PISTON

1	283-20301-00		CRANKSHAFT ASSY.		1
2	283-35202-03		CRANK SPROCKET		1
3	283-25003-03		PRIMARY GEAR (DRIVE)		1
4	017-01800-50		NUT		1
5	020-01800-40		WASHER		1
6	283-26001-03		SPACER		1
*7	290-23401-07		PISTON SET (STD)	Incl. 7,10	1
8	283-23301-03		PISTON PIN		1
9	290-23501-07	E140007-00	PISTON RING SET (STD)		1
10	056-52300-20		CLIP		2
11	283-24105-01		BALANCER SHAFT COMPL.		1
12	032-30400-70		WOODRUFF KEY		1
13	018-01400-20		FLANGE NUT		1
14	020-01400-30		WASHER		1
15	283-76201-03	A010057-00	NEEDLE BEARING	K30X35X26ZW	1

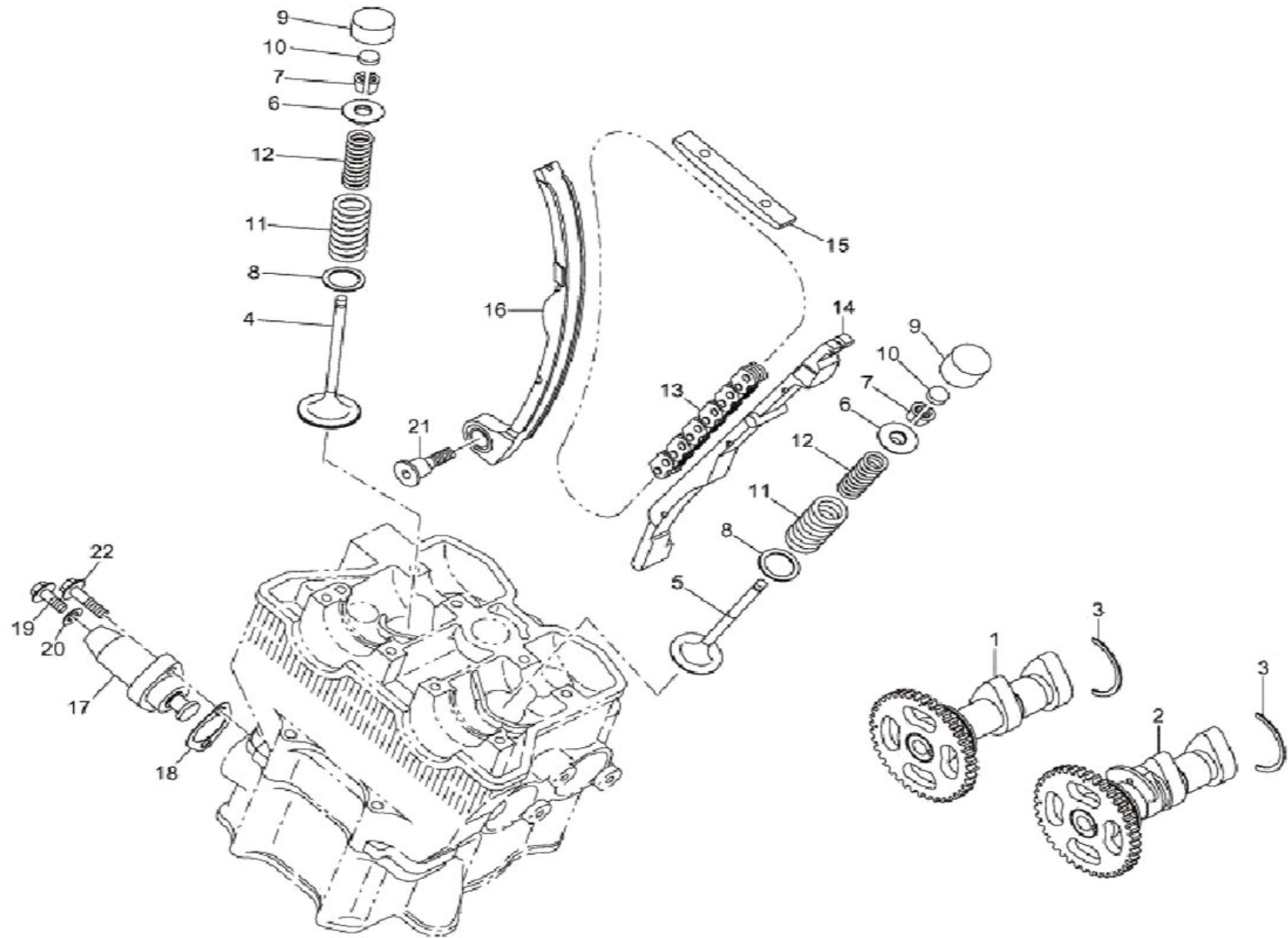
4. INTAKE & EXHAUST



4. INTAKE & EXHAUST

1	283-31601-01	CAMSHAFT (IN) COMPL.		1
2	283-31602-11	CAMSHAFT (EX) COMPL.		1
3	283-35601-03	BEARING STOPPER		2
4	287-33401-03	INTAKE VALVE		2
5	287-33501-03	EXHAUST VALVE		2
6	283-33701-03	SPRING RETAINER		4
7	132-10AA0-20	COLLET-VALVE		8
8	283-35701-03	SEAT (VALVE SPRING)		4
9	283-35801-03	VALVE LIFTER		4
10	283-35901-03	ADJUSTING PAD	T=1.450	4
10	283-35902-03	ADJUSTING PAD	T=1.500	4
10	283-35903-03	ADJUSTING PAD	T=1.550	4
10	283-35904-03	ADJUSTING PAD	T=1.600	4
10	283-35905-03	ADJUSTING PAD	T=1.625	4
10	283-35906-03	ADJUSTING PAD	T=1.650	4
10	283-35907-03	ADJUSTING PAD	T=1.675	4
10	283-35908-03	ADJUSTING PAD	T=1.700	4
10	283-35909-03	ADJUSTING PAD	T=1.725	4
10	283-35910-03	ADJUSTING PAD	T=1.750	4
10	283-35911-03	ADJUSTING PAD	T=1.775	4
10	283-35912-03	ADJUSTING PAD	T=1.800	4
10	283-35913-03	ADJUSTING PAD	T=1.825	4
10	283-35914-03	ADJUSTING PAD	T=1.850	4
10	283-35915-03	ADJUSTING PAD	T=1.875	4
10	283-35916-03	ADJUSTING PAD	T=1.900	4

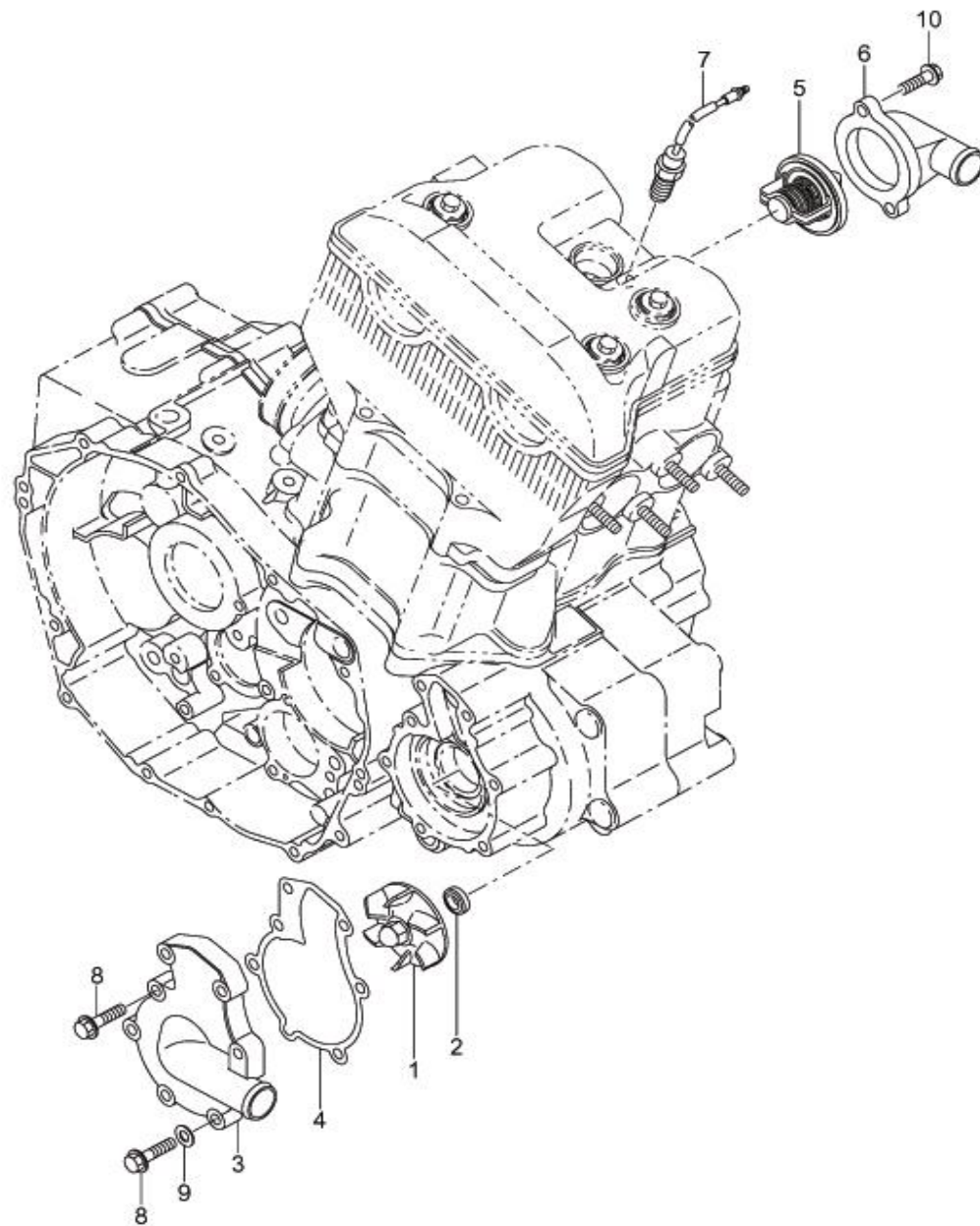
4. INTAKE & EXHAUST



4. INTAKE & EXHAUST

10	283-35917-03		ADJUSTING PAD	T=1.925	4
10	283-35918-03		ADJUSTING PAD	T=1.950	4
10	283-35919-03		ADJUSTING PAD	T=1.975	4
10	283-35920-03		ADJUSTING PAD	T=2.000	4
10	283-35921-03		ADJUSTING PAD	T=2.025	4
10	283-35922-03		ADJUSTING PAD	T=2.050	4
10	283-35923-03		ADJUSTING PAD	T=2.075	4
10	283-35924-03		ADJUSTING PAD	T=2.100	4
10	283-35925-03		ADJUSTING PAD	T=2.125	4
10	283-35926-03		ADJUSTING PAD	T=2.150	4
10	283-35927-03		ADJUSTING PAD	T=2.200	4
10	283-35928-03		ADJUSTING PAD	T=2.250	4
10	283-35929-03		ADJUSTING PAD	T=2.300	4
11	283-33601-03	A110051-00	VALVE SPRING (OUTER)		4
12	283-33602-03	A110047-00	VALVE SPRING (INNER)		4
13	283-37001-03	E140015-00	TIMING CHAIN		1
14	283-37102-03		CHAIN GUIDE 1		1
15	283-37201-03		CHAIN GUIDE 2		1
16	283-37303-01		LEVER COMPL.		1
17	283-36401-00		TENSIONER ASSY.		1
18	283-36801-03	E140008-00	GASKET (TENSIONER)		1
19	011-00600-10		FLANGE BOLT	M6×8mm	1
20	021-10600-20		GASKET, ALUMINIUM		1
21	283-37401-03		PIVOT BOLT	M8×22.5mm	1
22	011-00602-40		FLANGE BOLT	M6×25mm	2

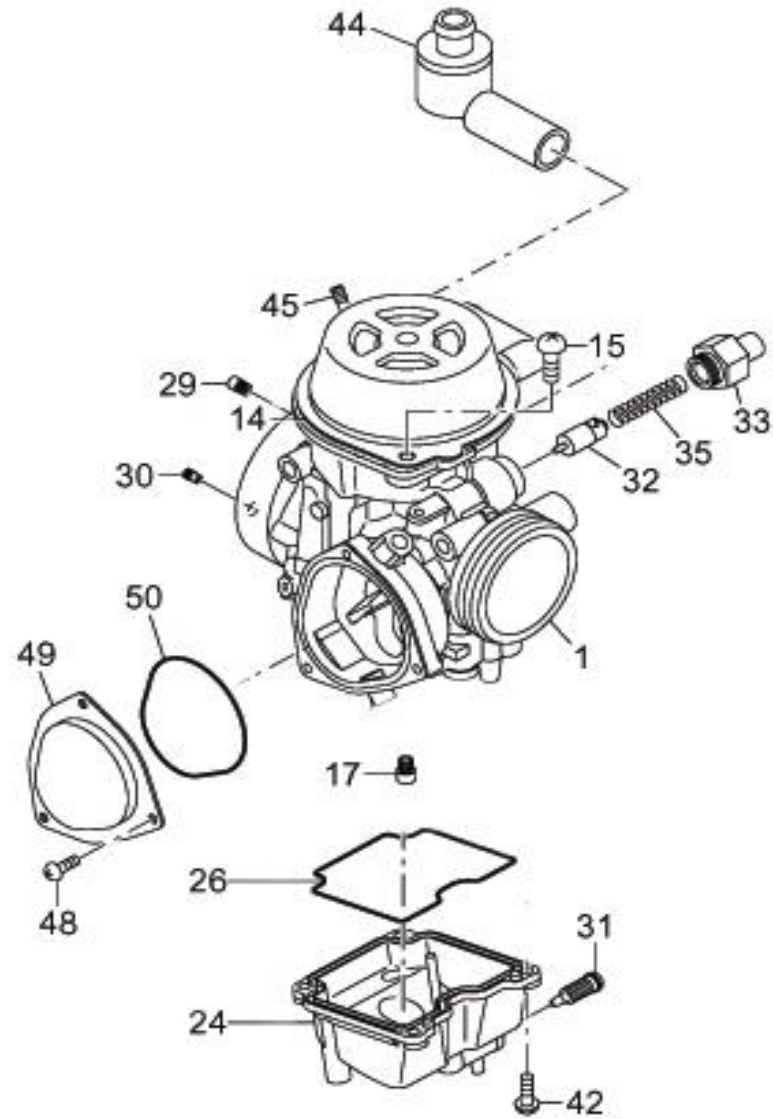
5. WATER PUMP



5. WATER PUMP

1	283-55102-13		IMPELLER		1
2	021-80600-10		SEAL WASHER		1
3	290-55202-03		WATER PUMP CASE		1
4	283-55602-13	E140009-00	GASKET (WATER PUMP)		1
5	283-56101-01		THERMO STAT COMPL.		1
6	290-55301-03		THERMO COVER		1
7	257-56002-01		THERMO SWITCH COMPL.	110 DEG.	1
8	011-00602-40		FLANGE BOLT	M6×25mm	7
9	021-10600-30		GASKET, COPPER		1
10	011-00602-30		FLANGE BOLT	M6×20mm	2

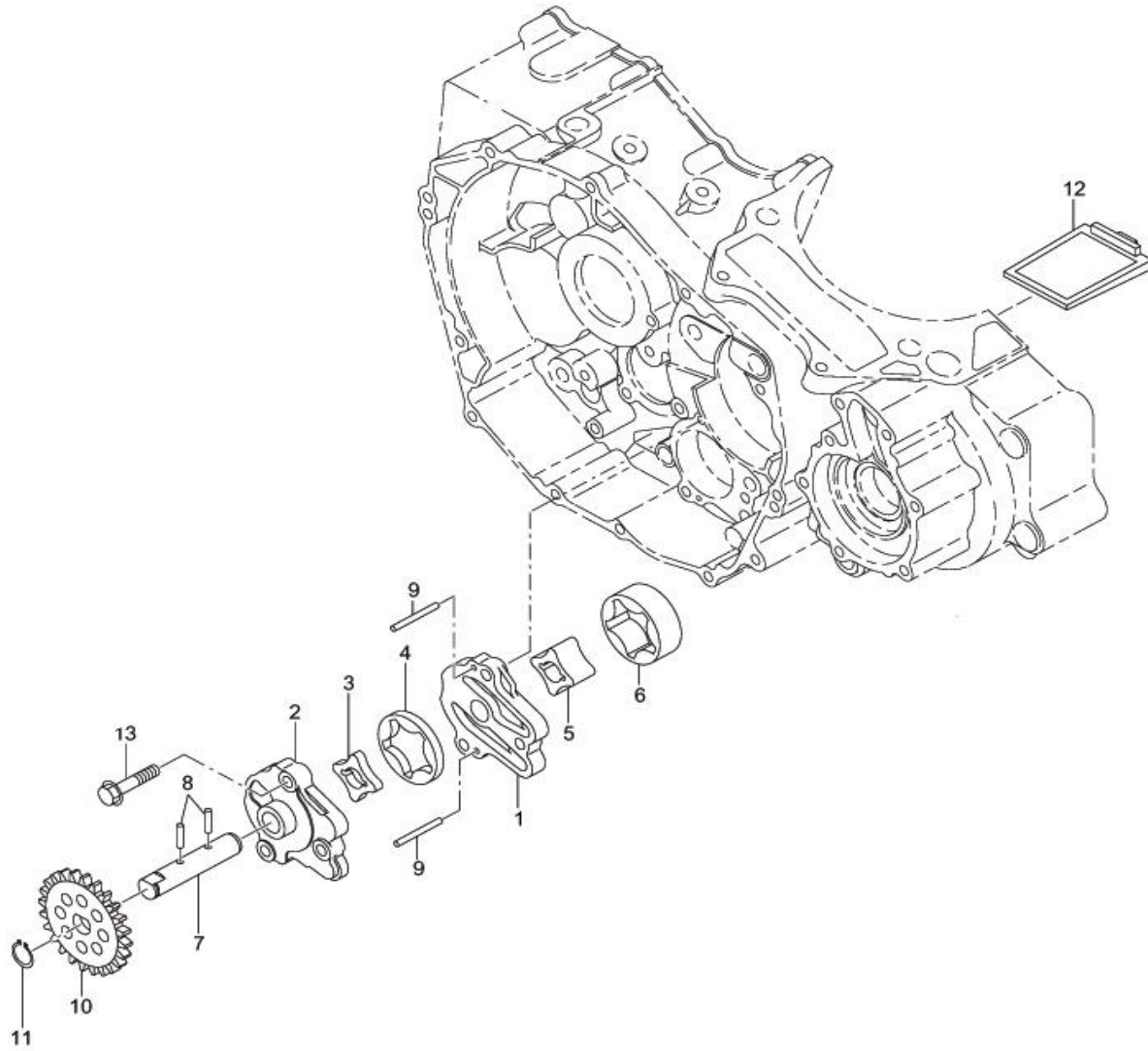
6. CARBURETOR



6. CARBURETOR

*1	283-62301-20	CARBURETOR ASSY.	Incl. 2 ~ 50,Mark "83L01B"	1
14	283-62355-08	DIAPHRAGM COVER		1
15	212-62361-08	SCREW		2
16	230-62402-08	JET(#42.5)		1
17	113-62303-08	MAIN JET(#150)		1
24	283-62360-08	FLOAT BODY		1
26	283-62362-08	"O"RING		1
27	283-62500-08	NEEDLE VALVE		1
28	283-62300-08	NEEDLE JET		1
29	266-62409-08	JET(#110)		1
30	283-62363-08	JET(#120)		1
31	257-62364-08	SCREW		1
32	257-82373-08	PLUNGER ASSY.		1
33	283-62364-08	GUIDE HOLDER		1
35	106-62460-08	SPRING		1
42	283-62367-08	SCREW		4
44	283-62368-08	FILTER		1
45	248-62410-08	AIR JET		1
48	226-62354-08	SCREW		3
49	260-62365-08	COVER		1
50	260-62364-08	"O"RING		1

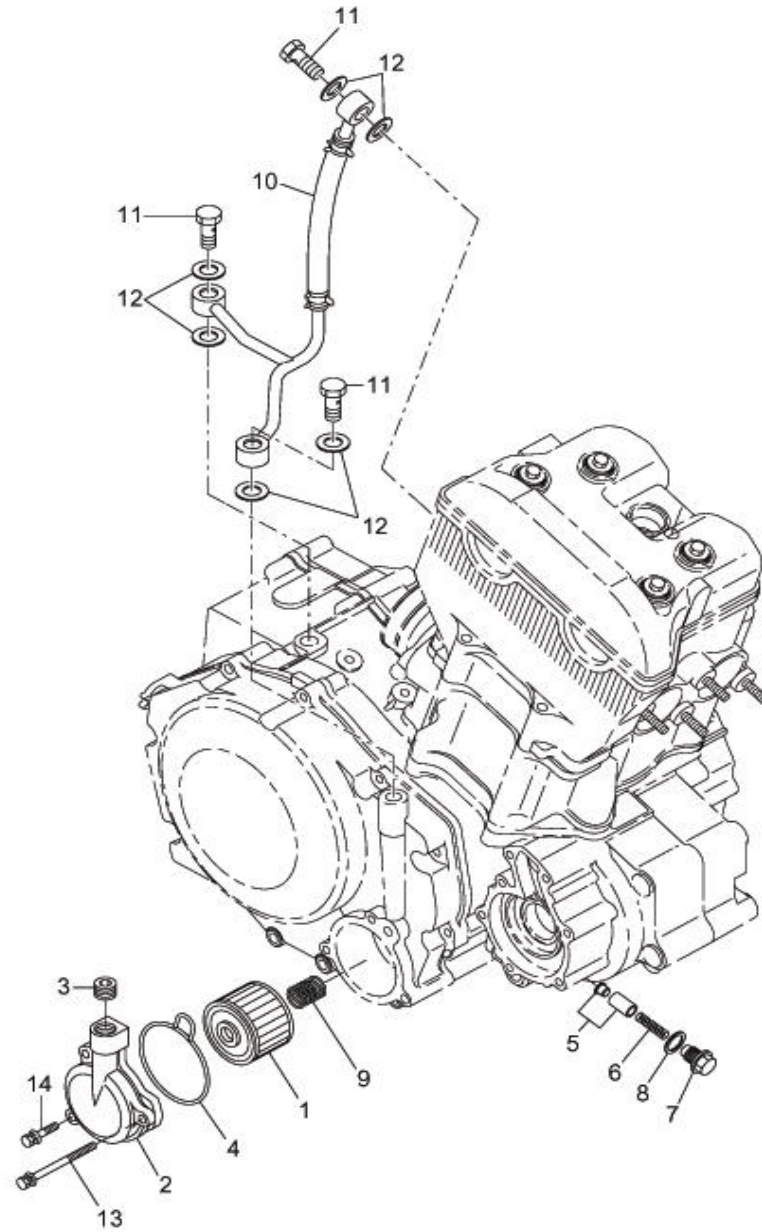
7. OIL PUMP



7. OIL PUMP

*1	283-65102-00	OIL PUMP ASSY.	Incl. 1 ~ 9	1
1	283-65101-03	OIL PUMP CASE 1		1
2	283-65202-03	OIL PUMP CASE 2		1
3	283-66102-03	INNER ROTOR (FEED)		1
4	283-66202-03	OUTER ROTOR (FEED)		1
5	283-66301-03	INNER ROTOR (SCAV)		1
6	283-66401-03	OUTER ROTOR (SCAV)		1
7	283-65302-03	OIL PUMP SHAFT		1
8	031-00300-30	DOWEL PIN		2
9	031-00300-40	DOWEL PIN		2
10	283-64104-03	OIL PUMP GEAR		1
11	003-15120-00	SNAP RING		1
12	283-65801-02	OIL STRAINER UNIT		1
13	011-00604-20	FLANGE BOLT	M6×30mm	3

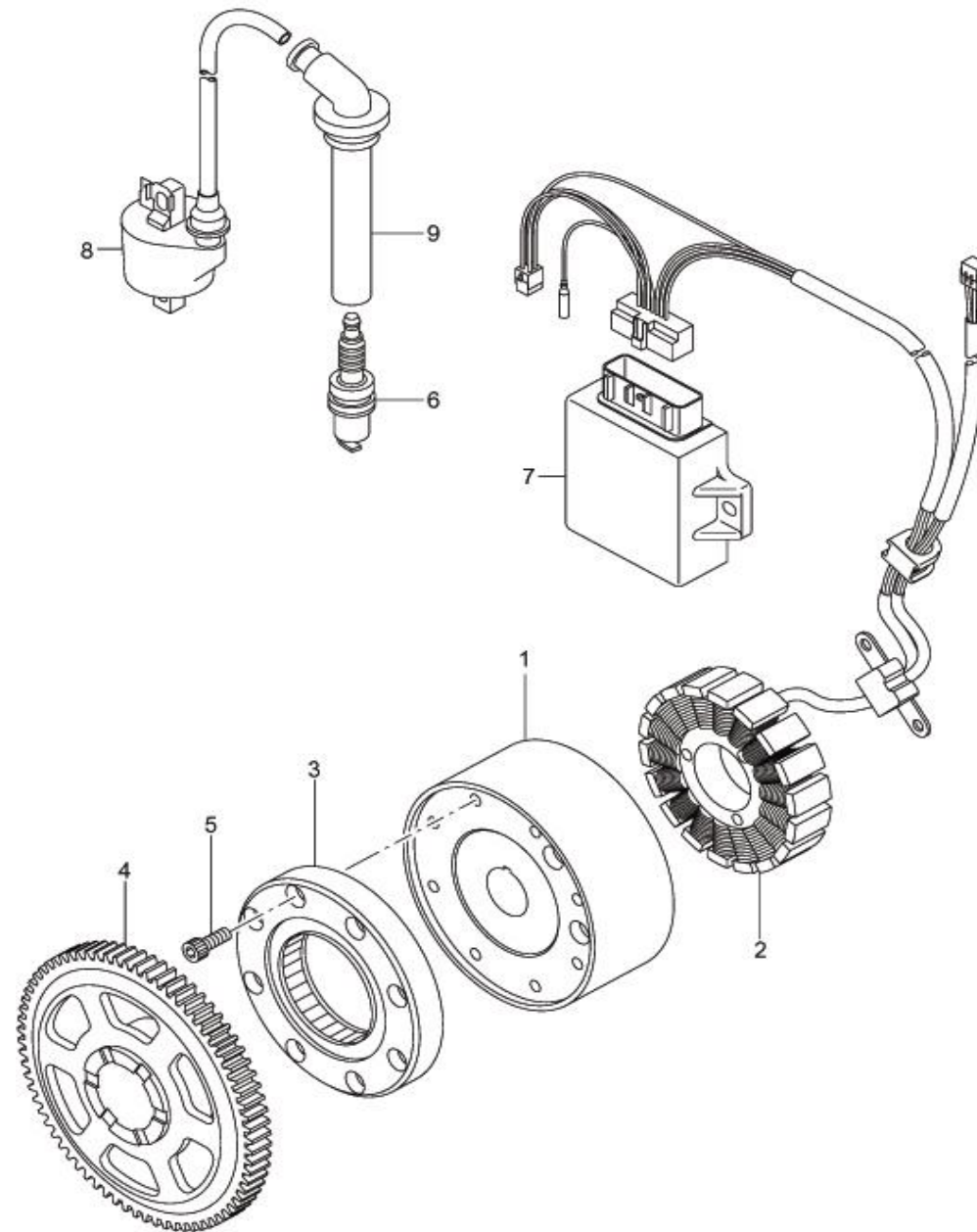
8. OIL FILTER



8. OIL FILTER

1	283-65401-01		OIL FILTER COMPL.		1
*2	290-65501-00		FILTER COVER ASSY.	Incl. 2,3	1
2	290-65502-01		FILTER COVER COMPL.		1
3	040-31400-10		PLUG	PT1/4	1
4	283-67501-03	E140016-00	"O" RING (FILTER COVER)		1
5	283-66501-00		VALVE (ONE WAY) ASSY.		1
6	283-66601-03		SPRING (ONE WAY VALVE)		1
7	283-66701-03		PLUG (ONE WAY)		1
8	021-11100-10		GASKET, ALUMINUM		1
9	283-65401-03	A110048-00	SPRING (FILTER)		1
10	283-68002-00		OIL DELIVERY PIPE ASSY.		1
11	053-01200-41		BANJO BOLT		3
12	021-11200-50		GASKET		6
13	011-00604-50		FLANGE BOLT	M6×65mm	1
14	011-00602-40		FLANGE BOLT	M6×25mm	2

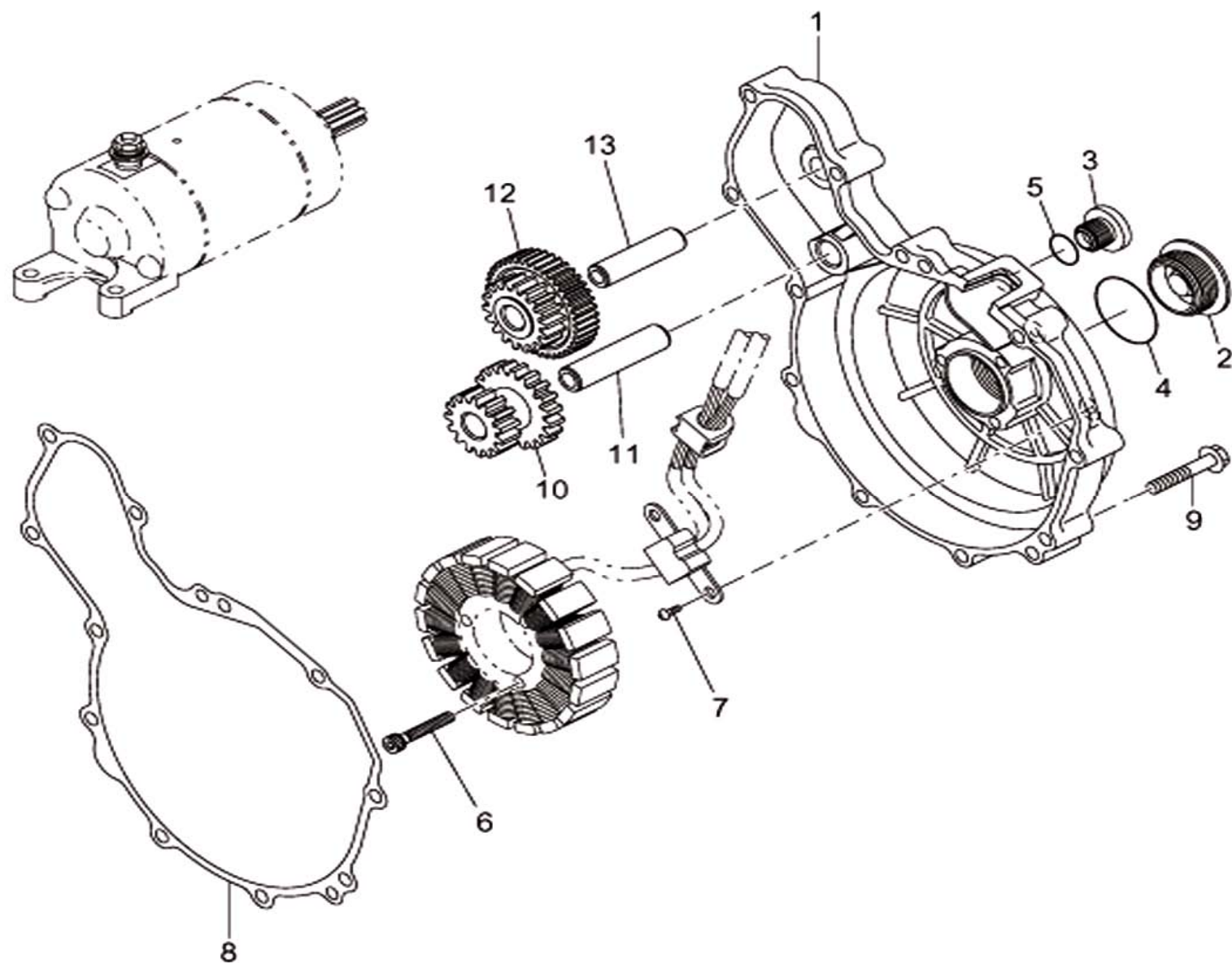
9. MAGNETO



9. MAGNETO

*1	283-70102-10	MAGNETO ASSY.	Incl. 1,2	1
1	283-70110-08	FLYWHEEL ASSY		1
2	283-70210-08	STATOR ASSY.		1
3	283-75602-00	ONE WAY CLUTCH ASSY.		1
4	283-75501-03	STARTER GEAR		1
5	011-90600-80	BOLT (SOCKET HEAD)	M6×16mm	8
6	065-01407-60	SPARK PLUG	DCPR8E	1
7	283-72202-01	CDI SYSTEM COMPL.		1
8	283-71201-01	IGNITION COIL COMPL.		1
9	283-76301-03	SPARK PLUG CAP		1

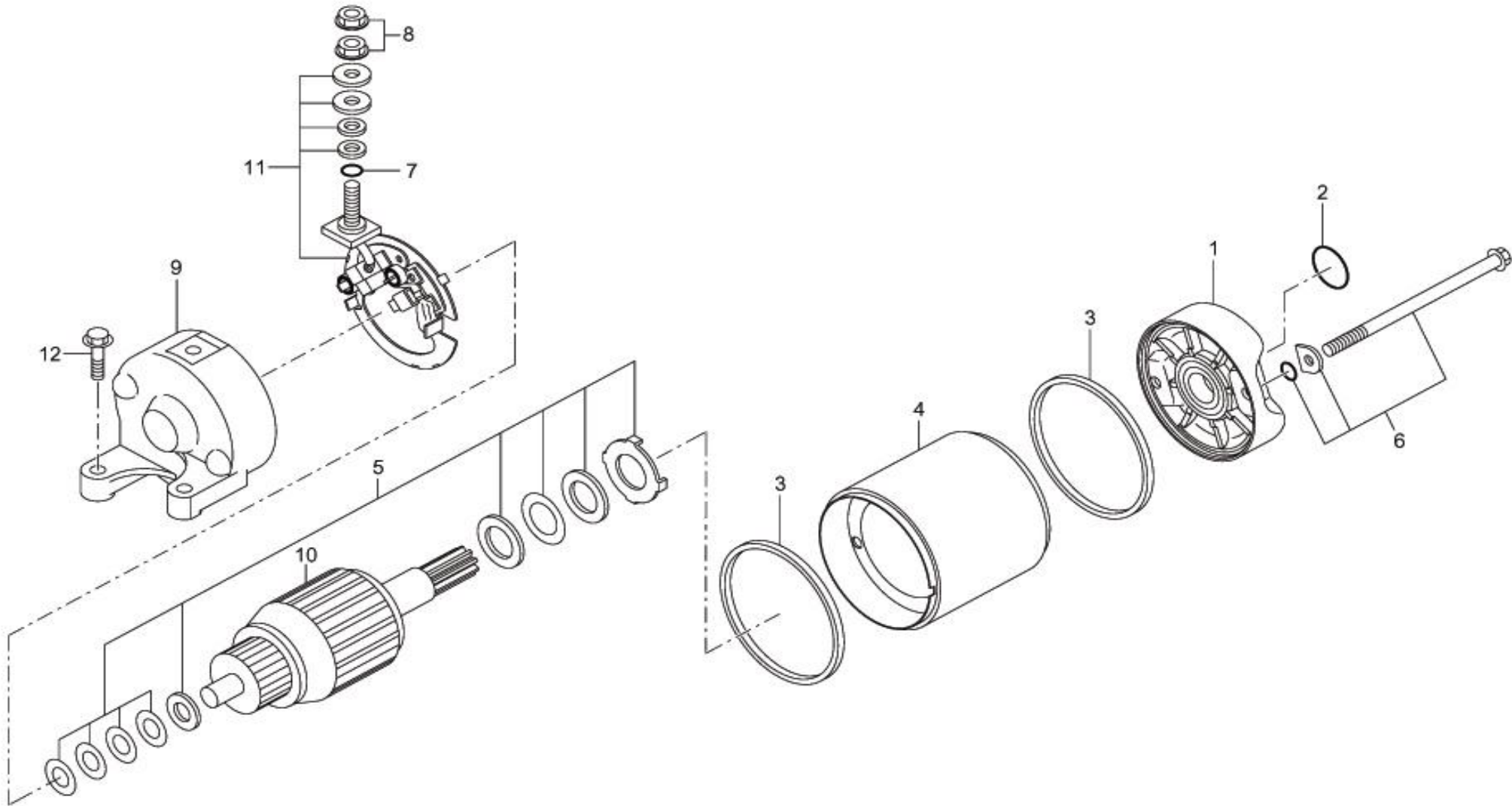
10. MAG COVER



10. MAG COVER

1	290-71701-01		MAG COVER COMPL.		1
2	283-77101-03	E140010-00	PLUG 1 (MAG COVER)		1
3	283-77201-03	E140011-00	PLUG 2 (MAG COVER)		1
4	024-02700-40	A040038-00	"O" RING	P29-28.7x2.4	1
5	024-01200-10	A040037-00	"O" RING	12.3X2.4	1
6	011-90500-40		BOLT (SOCKET HEAD)	M5×30mm	3
7	004-35051-20		SCREW AND WASHER ASSY.	M5×12mm	2
8	283-75001-13	E140012-00	GASKET (MAG COVER)		1
9	011-00604-30		FLANGE BOLT	M6×35mm	11
10	283-75101-03		REDUCTION GEAR 1		1
11	283-75201-03		SHAFT 1		1
12	283-75301-03		REDUCTION GEAR 2		1
13	283-75401-03		SHAFT 2		1

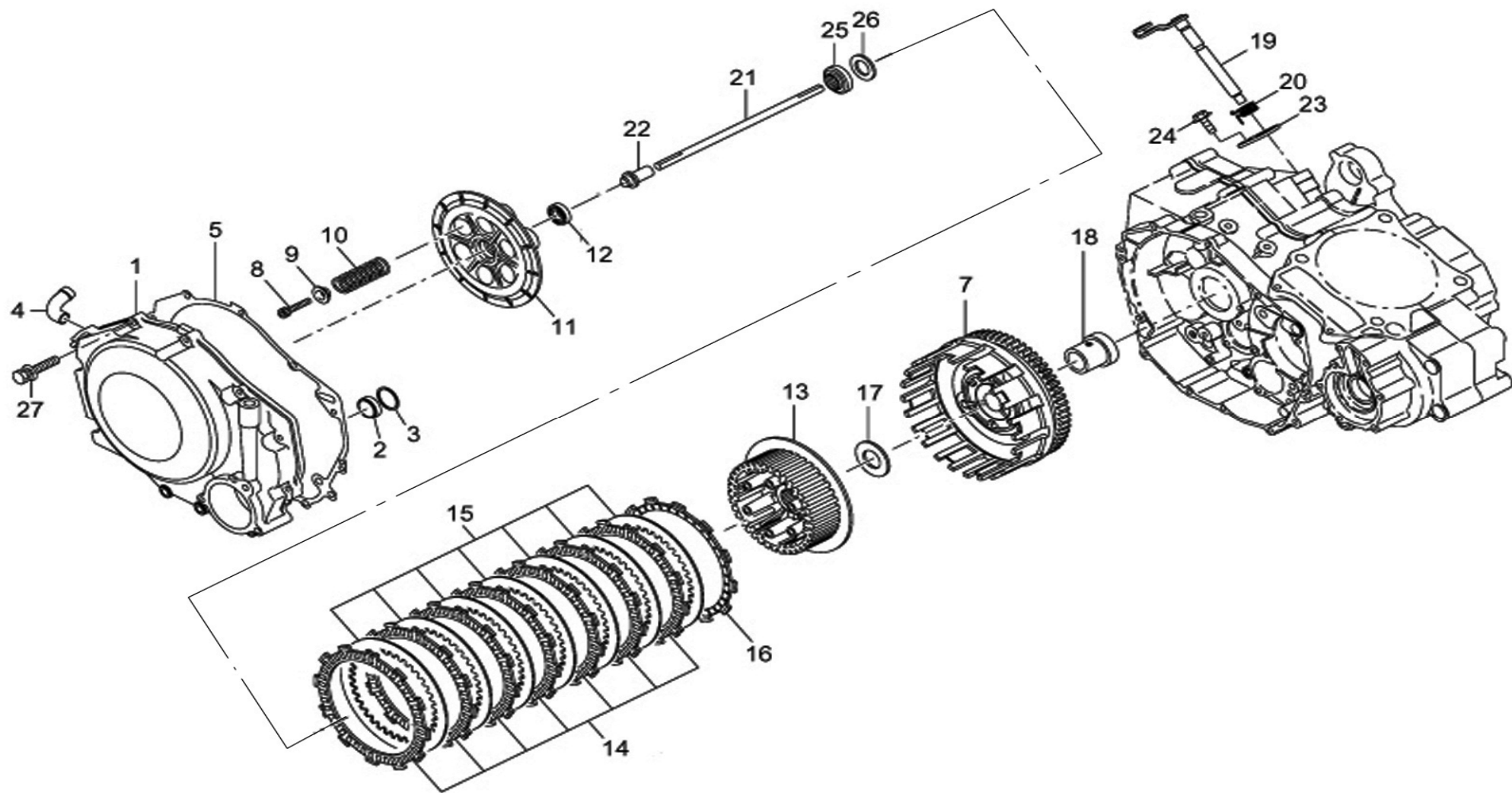
11. STARTING MOTOR



11. STARTING MOTOR

*1	283-70501-00	STARTING MOTOR ASSY.	Incl. 1 ~ 11	1
*1	257-70501-08	FRONT BRACKET ASSY.	Incl. 2	1
2	164-70553-08	"O"RING		1
3	155-70572-08	RUBBER RING		2
5	257-70550-08	WASHER SET		1
6	257-70551-08	SET BOLT ASSY.		2
7	155-70575-08	"O"RING		3
8	155-70554-08	FLANGE NUT		1
9	283-70505-08	REAR BRACKET ASSY.		1
10	257-70552-08	ARMATURE ASSY.		1
11	155-70573-08	CARBON BRUSH SET		1
12	011-00602-40	FLANGE BOLT	M6×25mm	2

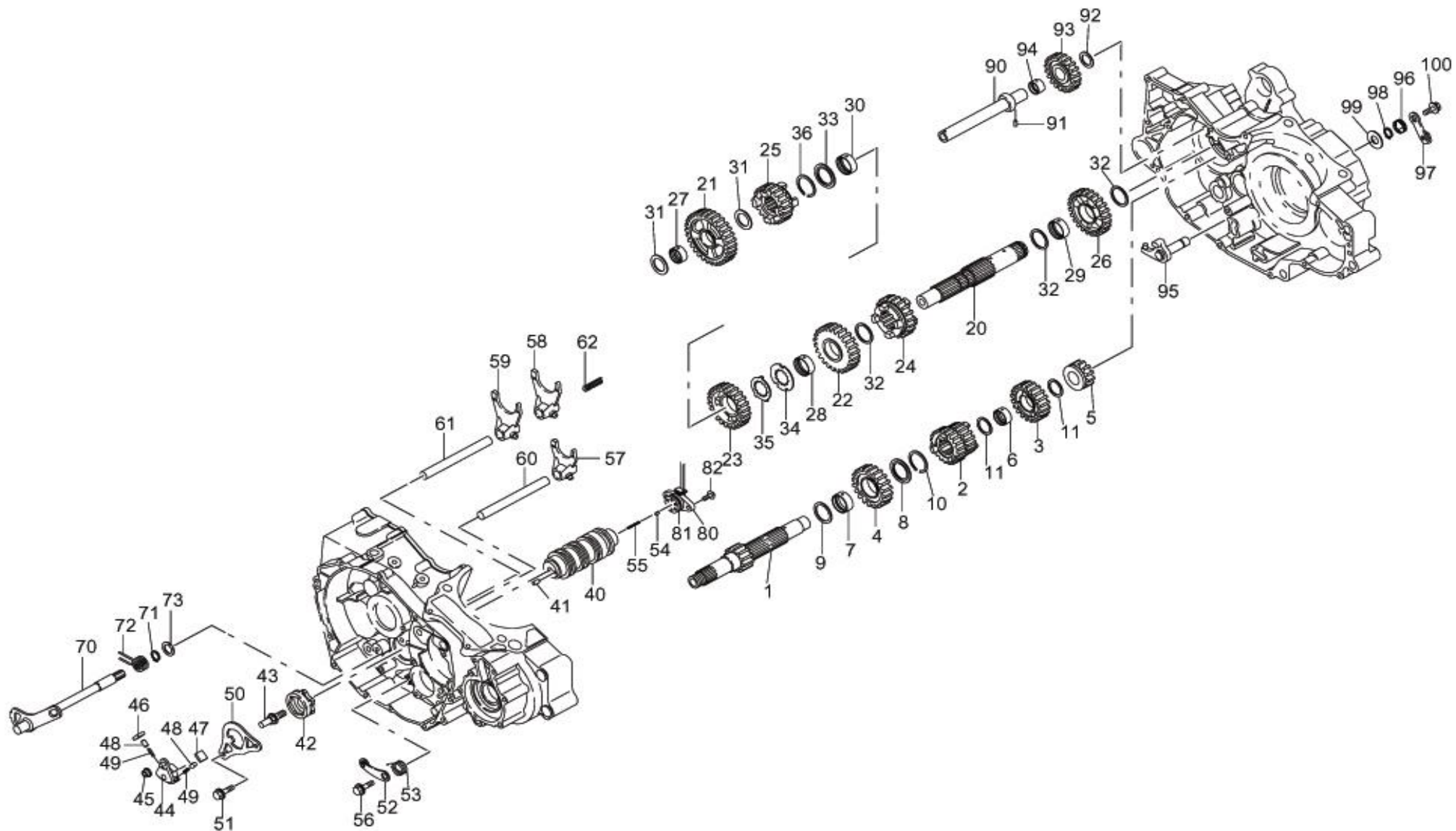
12. CLUTCH (No.1)



12. CLUTCH (No.1)

*1	290-85002-11		CLUTCH COVER COMPL.	Incl. 2 ~ 4	1
2	283-85101-03	E140017-00	OIL SEAL (CRANK)		1
3	003-14260-00		SNAP RING, INNER		1
4	271-38201-01		PIPE COMPL.		1
5	283-85302-03	E140013-00	GASKET (CLUTCH COVER)		1
*6	283-83903-00		CLUTCH ASSY. (MULTI)	Incl. 7 ~ 17	1
7	283-83914-08		OUTER COMPL.,CLUTCH		1
8	283-83903-08		BOLT	M6×35mm	6
9	283-83905-08		WASHER, CLUTCH SPRING		6
10	283-83904-08		SPRING (CLUTCH)		6
11	283-83909-08		DISK, CLUTCH PRESSURE		1
12	283-83910-08		BALL BEARING		1
13	283-83902-08		CENTER COMPL.,CLUTCH		1
14	283-83915-08		DISK A, CLUTCH FRICTION		7
15	283-83908-08		PLATE, CLUTCH		7
16	283-83907-08		DISK B, CLUTCH FRICTION		1
17	283-83913-08		WASHER,THRUST		1
18	283-85502-03		DISTANCE COLLAR		1
19	283-85601-01		RELEASE SHAFT COMPL.		1
20	283-85701-03	A110049-00	SPRING (RELEASE)		1
21	283-85802-03		PUSH ROD		1
22	283-85901-03		PUSHER		1
23	283-86102-03		PLATE (RELEASE SHAFT)		1
26	980-35180-20		LOCK WASHER		1
27	011-00602-40		FLANGE BOLT	M6×25mm	11

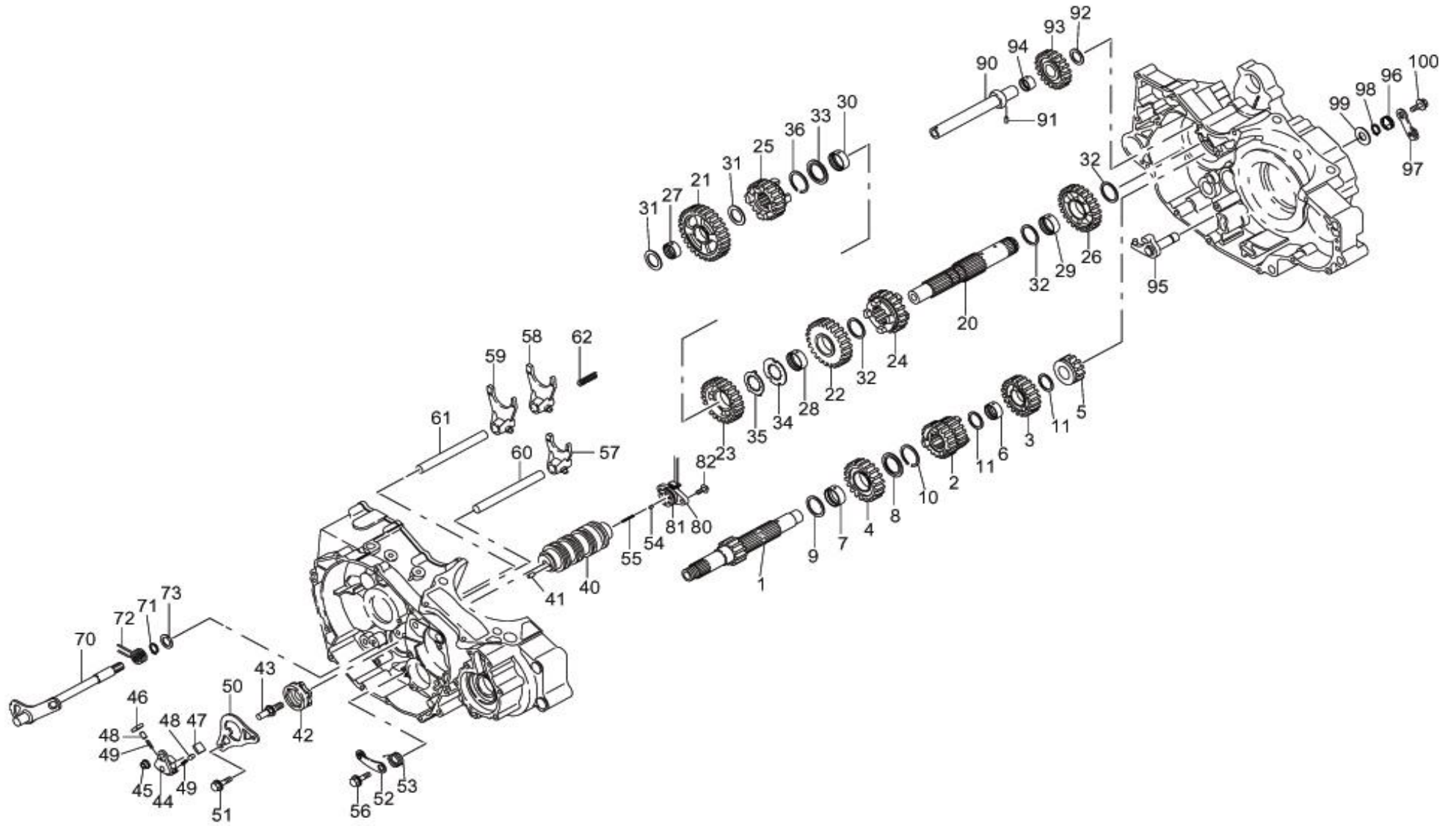
13. CLUTCH (No.2)



13. CLUTCH (No.2)

*1	283-86202-00	MAIN SHAFT ASSY.	Incl. 1 ~ 11	1
1	283-86202-01	MAIN SHAFT COMPL.		1
2	283-82208-03	GEAR (2ND,3RD DRIVE)		1
3	283-82212-03	GEAR (4TH DRIVE)		1
4	283-82213-03	GEAR (5TH DRIVE)		1
5	283-82211-03	REVERSE GEAR (DRIVE)		1
6	283-86406-03	COLLAR		1
7	283-86405-03	COLLAR		1
8	283-86701-03	SPLINE WASHER		1
9	283-86802-03	WASHER		1
10	283-86901-03	CLIP		1
11	283-86804-03	WASHER		2
*20	283-87002-00	COUNTER SHAFT ASSY.	Incl. 20 ~ 36	1
20	283-87002-01	COUNTER SHAFT COMPL.		1
21	283-82106-03	GEAR (1ST DRIVEN)		1
22	283-82107-03	GEAR (2ND DRIVEN)		1
23	283-82108-03	GEAR (3RD DRIVEN)		1
24	283-82109-03	GEAR (4TH DRIVEN)		1
25	283-82110-03	GEAR (5TH DRIVEN)		1
26	283-82111-03	REVERSE GEAR (DRIVEN)		1
27	283-86403-03	COLLAR		1
28	283-86409-03	COLLAR		1
29	283-86405-03	COLLAR		1

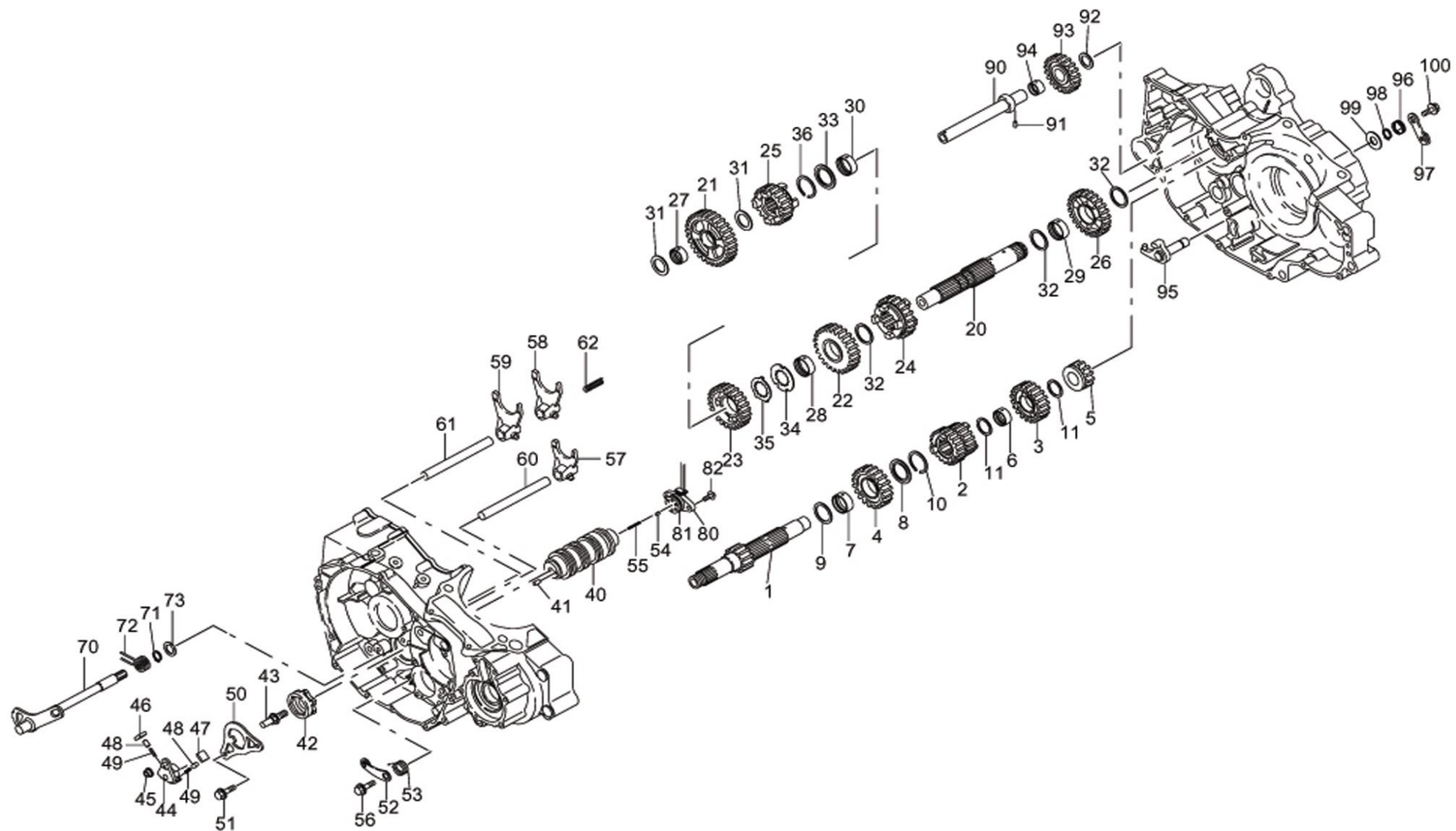
13. CLUTCH (No.2)



13. CLUTCH (No.2)

30	283-86407-03		COLLAR (SPLINE)		1
31	283-86803-03		WASHER		2
32	283-87402-03		WASHER		3
33	283-86701-03		SPLINE WASHER		1
34	283-86801-03		WASHER		1
35	283-86702-03		LOCK WASHER		1
36	283-86901-03		CLIP		1
*40	283-87602-01		SHIFT DRUM COMPL.	Incl. 41	1
41	283-87801-03		DOWEL PIN		1
42	283-87702-03		SHIFT CAM		1
43	283-8B001-03		SHIFTER PIN		1
44	283-8B102-03		DRUM SHIFTER		1
45	283-8B201-03		SHIFTER COLLAR		1
46	283-8B301-03		RATCHET PAWL A		1
47	283-8B401-03		RATCHET PAWL B		1
48	283-8B501-03		PAWL PLUNGER		2
49	283-8B601-03		SPRING (PLUNGER)		2
50	283-8B701-03		GUIDE PLATE		1
51	011-00604-70		FLANGE BOLT	M6×20mm	2
52	283-8C301-01		STOPPER ARM COMPL.		1
53	283-88005-13	A110046-00	SPRING (STOPPER)		1
54	283-88101-03		POINT (NEUTRAL)		1
55	283-88201-03		SPRING (POINT)		1

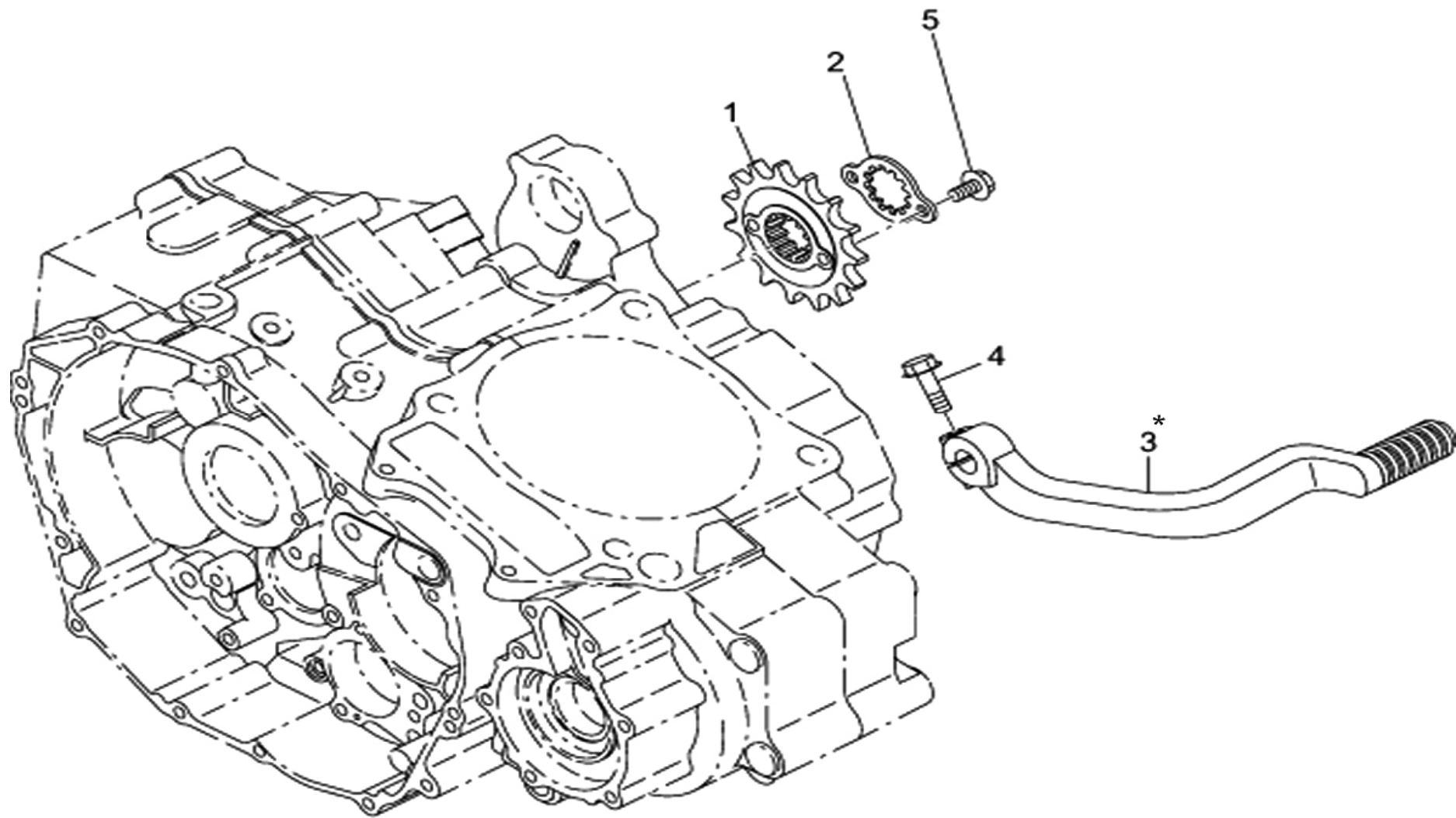
13. CLUTCH (No.2)



13. CLUTCH (No.2)

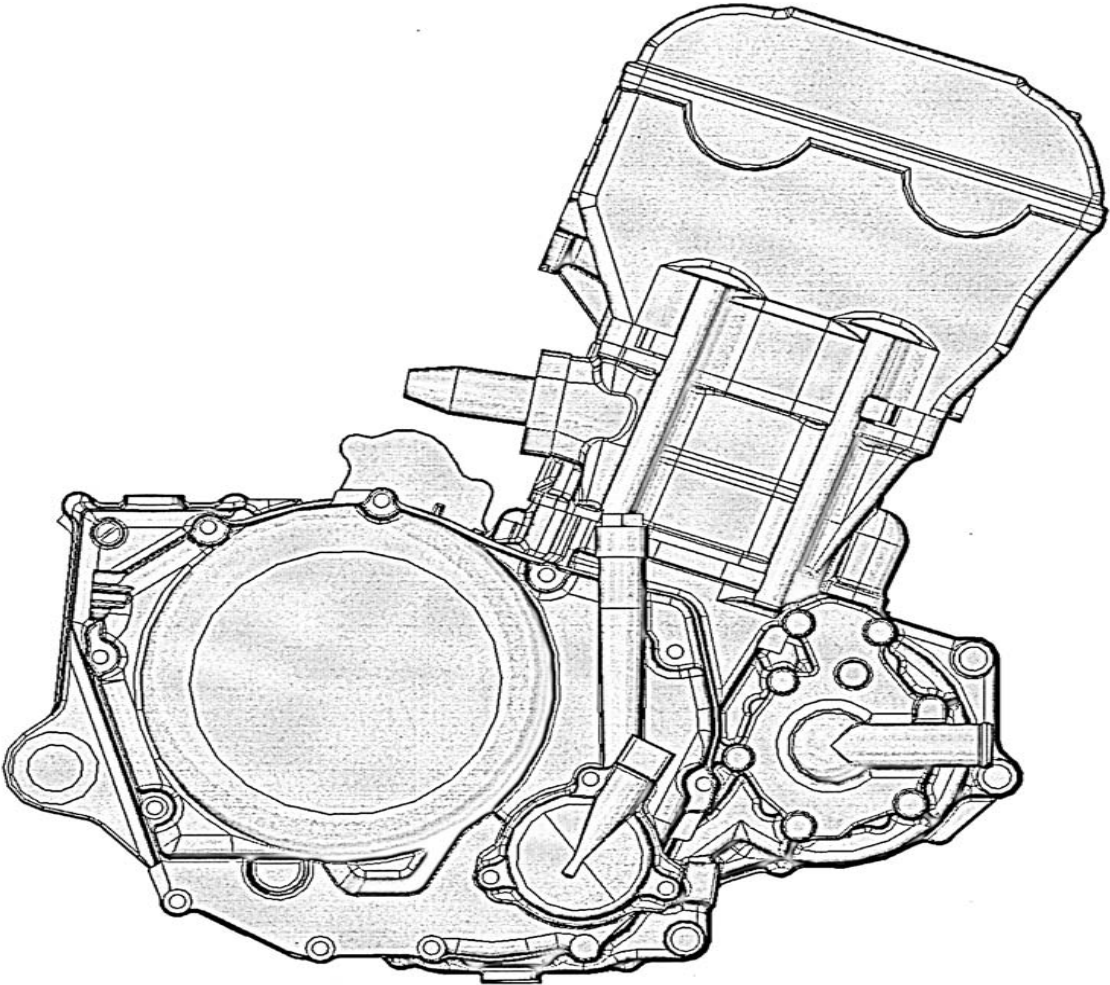
56	283-89906-03		BOLT (STOPPER)		1
57	283-88410-03		SHIFT FORK (MAIN)		1
58	283-88411-03		SHIFT FORK (LEFT)		1
59	283-88412-03		SHIFT FORK (RIGHT)		1
60	283-88505-03		FORK SHAFT		1
61	283-88506-03		FORK SHAFT		1
62	283-88601-03		SPRING (FORKSHAFT)		1
70	283-8C002-01		SHIFT SHAFT COMPL.	Incl. 71,72	1
71	283-86902-03		SNAP RING		1
72	283-8C201-03	A110050-00	RETURN SPRING		1
73	283-86807-03		WASHER		1
*80	283-89304-00		SWITCH (POSITION) ASSY.	Incl. 81	1
81	024-02100-10		"O" RING		1
82	013-10500-30		SCREW AND WASHER ASSY.	M5×20mm	2
*90	283-8A001-01		REVERSE SHAFT COMPL.	Incl. 91 ~ 94	1
91	283-87801-03		DOWEL PIN		1
92	283-86805-03		WASHER		1
93	283-8A101-03		REVERSE IDELE GEAR		1
94	283-86408-03		COLLAR		1
95	283-8A201-01		REVERSE ARM COMPL.		1
96	283-8A401-03		REVERSE ARM SPRING		1
97	283-8A301-03		REVERSE ARM LEVER		1
98	003-15120-00		SNAP RING		1
99	283-86806-03		WASHER		1
100	011-00604-40		FLANGE BOLT	M6×12mm	1

14. COVER(CHAIN)



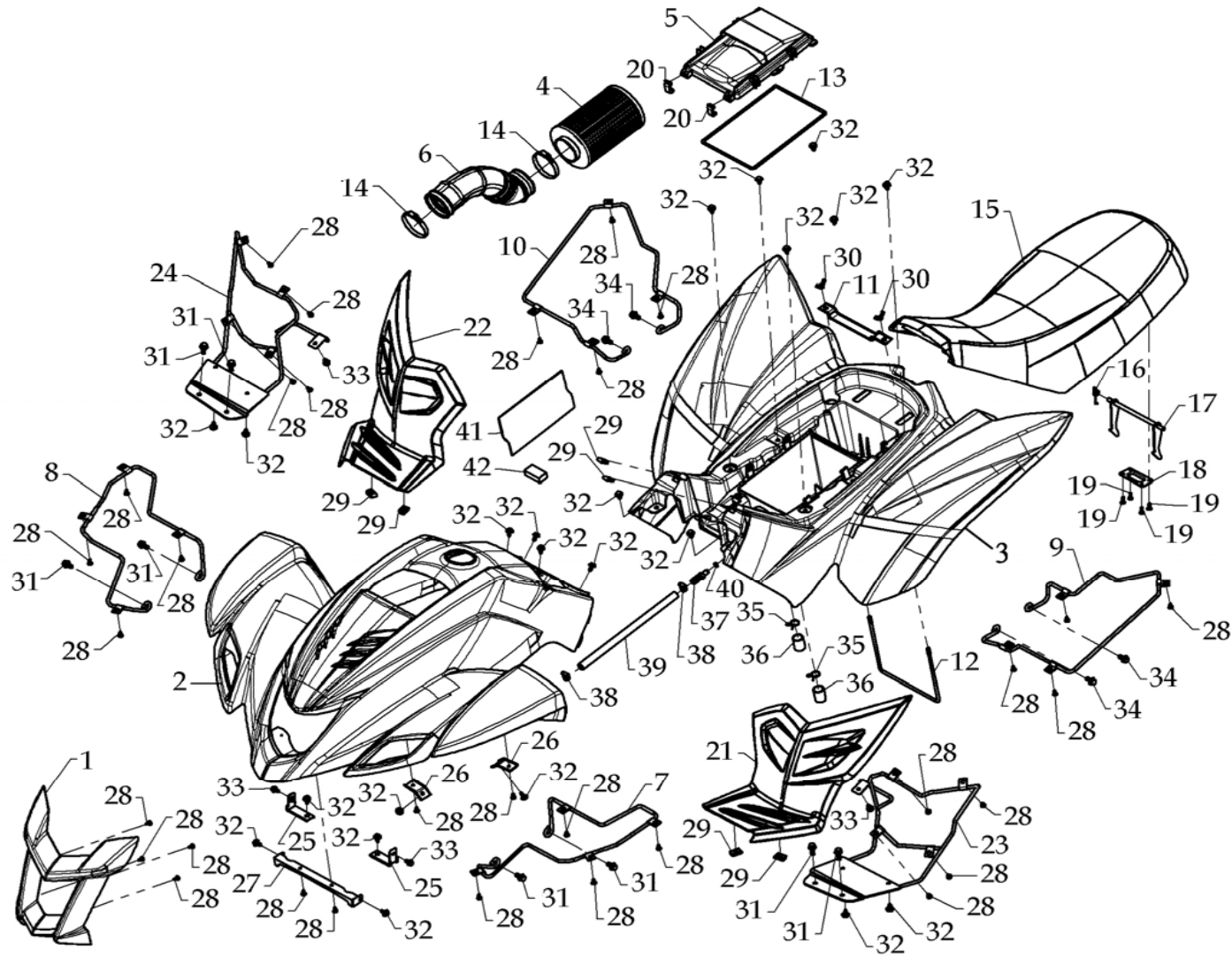
14. COVER(CHAIN)

1	283-89603-03		SPROCKET 14T		1	
2	283-89702-03		FIXING PLATE		1	
3	283-89802-01		SHIFT PEDAL COMPL.		1	901
*		F170068-00	SHIFT PEDAL COMPL.		1	902
*		F190069-00	SHIFT PEDAL COMPL.		1	903
4	011-00602-40		FLANGE BOLT	M6×25mm	1	
5	011-00604-40		FLANGE BOLT	M6×12mm	2	



Model	Item	Part no	Description	Specification	Q'TY
ENGINE					
	01	E140000-01	E14 ENGINE	450C.C.	1

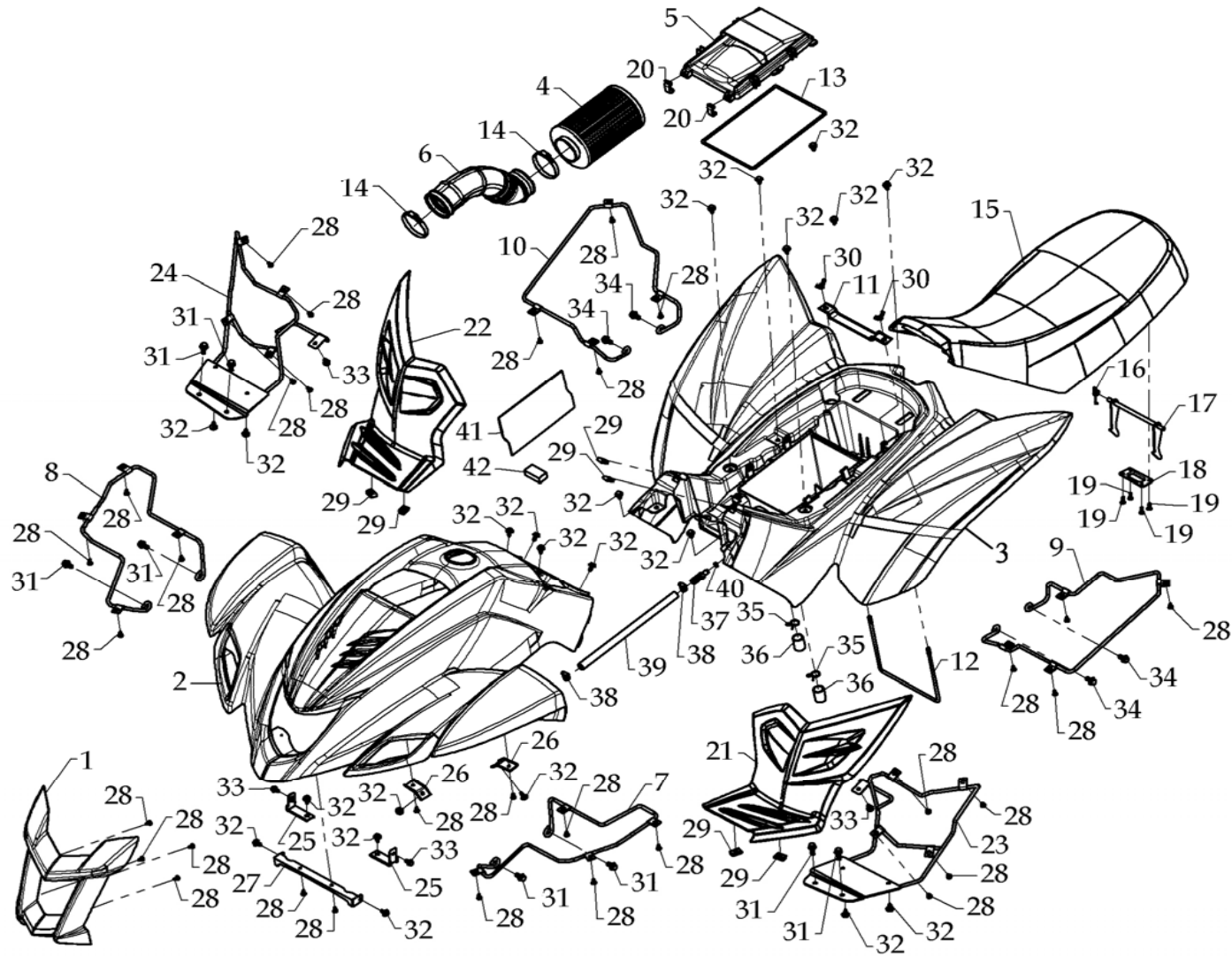
FENDER, SEAT



FENDER、 SEAT

01	F200001-15	BUMPER		1
02	F200002-98	FRONT FENDER		1
03	F200003-98	REAR FENDER		1
04	F200005-00	CORE,AIR CLEANER		1
05	F200006-00	COVER,AIR CLEANER		1
06	F200007-00	INTAKE DUCT,CARBURETOR		1
07	F200008-50	BRACKET,FRONT FENDER	LEFT SIDE	1
08	F200009-50	BRACKET,FRONT FENDER	RIGHT SIDE	1
09	F200010-50	BRACKET,REAR FENDER	LEFT SIDE	1
10	F200011-50	BRACKET,REAR FENDER	RIGHT SIDE	1
11	F200015-50	FIXTURE,BATTERY		1
12	F200016-42	BRACKET,BATTERY		1
13	F200019-00	SEAL,AIR CLEANER		1
14	A220029-00	CLAMP	Ø80X9mm	2
15	F150089A00	SEAT		1
16	A110043-41	TWIST SPRING	Ø2	1
17	F150149-42	HOOK		1
18	F030021-42	PLATE		1
19	A130005-43	TAPPING SCREW	5mmX16	4
20	F140136-00	CLIP		2
21	F150096A15	LEFT FOOT BOARD		1
22	F150097A15	RIGHT FOOT BOARD		1
23	F150073A50	FOOT BOARD BRACKET	LEFT SIDE	1
24	F150074A50	FOOT BOARD BRACKET	RIGHT SIDE	1
25	A230077A50	BRACKET,FRONT FENDER	FRONT	2
26	A230078-50	BRACKET,FRONT FENDER	REAR	2
27	A230084-50	BRACKET,FRONT FENDER		1
28	A130018-43	TAPPING SCREW	5mmX12L	32

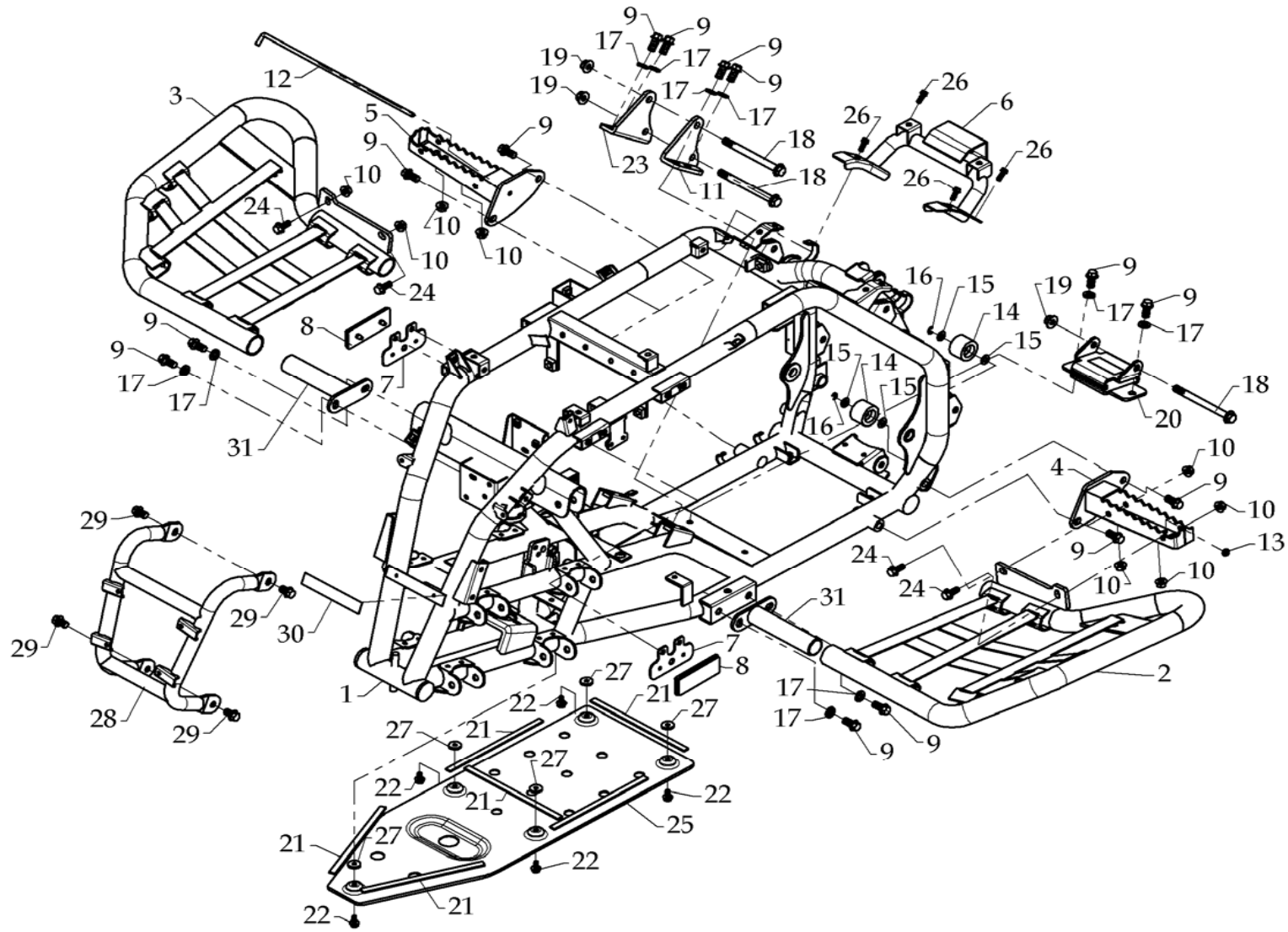
FENDER, SEAT



FENDER, SEAT

29	F020195-43	NUT CLIP	M6	6
30	A060065-42	WING NUT	M6X1.0	2
31	A050049-41	HEX WASHER FACE BOLT	M8X1.25X16L	8
32	A050023-41	HEX WASHER FACE BOLT	M6X1.0X16L	22
33	A050017-41	HEX WASHER FACE BOLT	M6X1.0X12L	4
34	A050024-41	HEX WASHER FACE BOLT	M6X1.0X16L	4
35	F150129-00	CLAMP		2
36	F150130-00	DRAINAGE COVER		2
37	F150126A00	CONNECTOR		1
38	F150127-41	CLIP		2
39	F150128A01	HOSE	Ø12XØ17X450	1
40	A100015-43	CIRCLIP	Ø10	1
41	F140197-00	HEAT INSULATE		1
42	F150131-00	ELEMENT		1

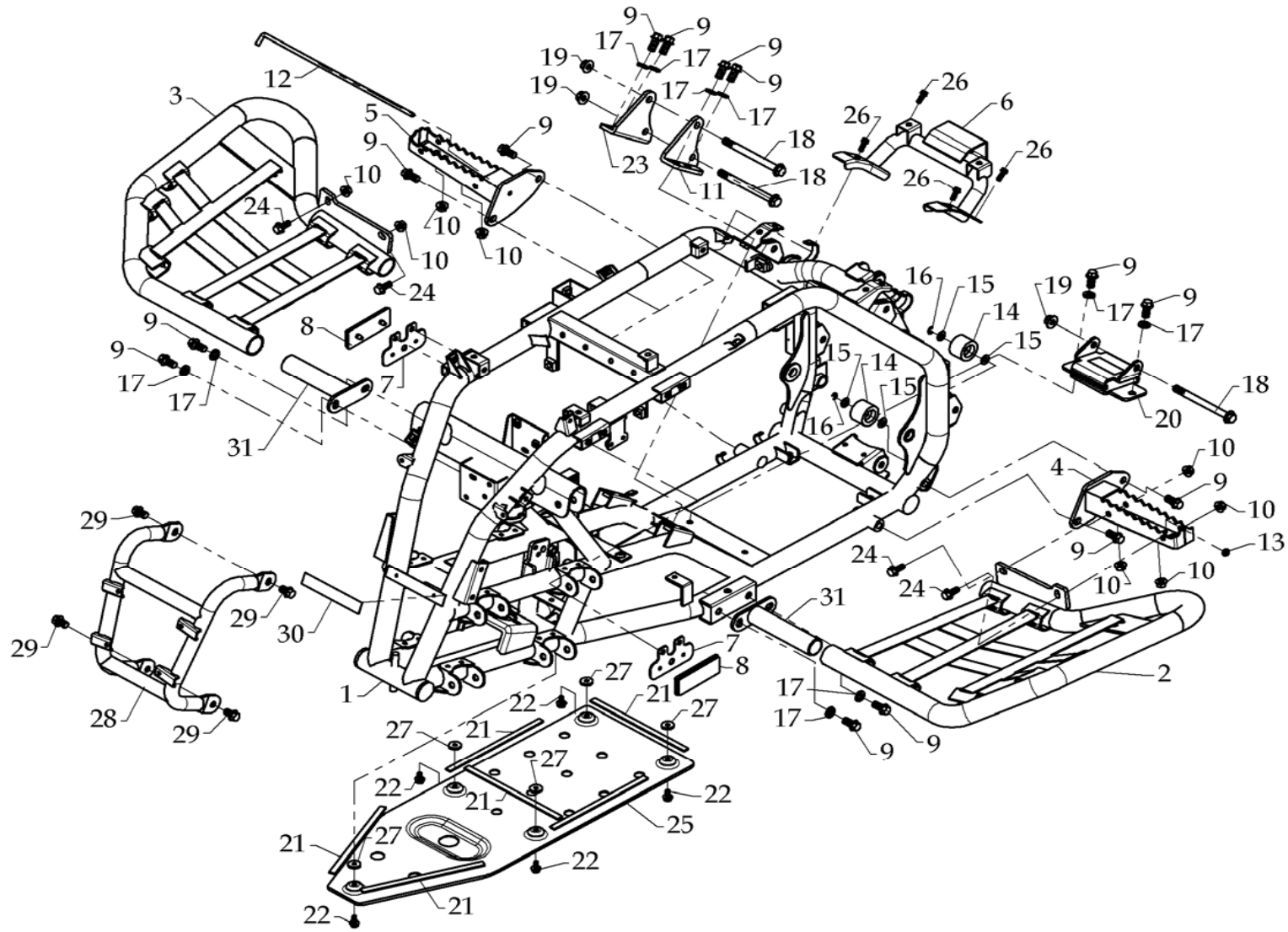
FORNT FRAME



FORNT FRAME

01	F190048J48	FRAME		1
02	F150071-98	FOOT PROTECT NET BRACKET	LEFT	1
03	F150072-98	FOOT PROTECT NET BRACKET	RIGHT	1
04	F150075B48	FOOTREST		1
05	F150076B48	FOOTREST		1
06	F150168A48	SEAT BRACKET		1
07	F150179A50	REFLECTER BRACKET		2
08	F020266-00	REFLECTER	YELLOW,CE	2
09	A050109-41	HEXAGONAL FLANGE BOLT	M10X1.25X20L	14
10	A060014-41	LOCK NUT	M8X1.25	8
11	F190045A50	LEFT ENGINE BRACKET		1
12	F150160-42	L-TYPE BOLT	M6X1.0X320L	1
13	A060053-41	LOCK NUT	M6X1.0	1
14	F150132-00	CHAIN PASSIVE ROLLER		2
15	A080095-41	PLAIN WASHER	Ø8.2XØ16X1t	4
16	A100014-43	E CLIP	Ø6	2
17	A080009-41	SPRING WASHER	Ø10.2XØ3.7X2.5t	10
18	A050068A41	HEXAGONAL FLANGE BOLT	M10X1.25X115L	3
19	A060007-41	LOCK NUT	M12X1.25	3
20	F190044-50	ENGINE DAMPER		1
21	F020096-00	DAMPER		6
22	A050017-41	HEXAGONAL FLANGE BOLT	M6X1.0X12L	5
23	F190046A50	RIGHT ENGINE BRACKET		1
24	A050084-41	HEXAGONAL FLANGE BOLT	M6XP1.0X20L	4
25	F150162B48	PROTECT PLATE		1
26	A050023-41	HEXAGONAL BOLT & WASHER	M6X1.0X16L	4
27	A080102-00	RUBBER WASHER	Ø6XØ19X3t	5
28	F200017-48	BRACKET,BUMPER		1

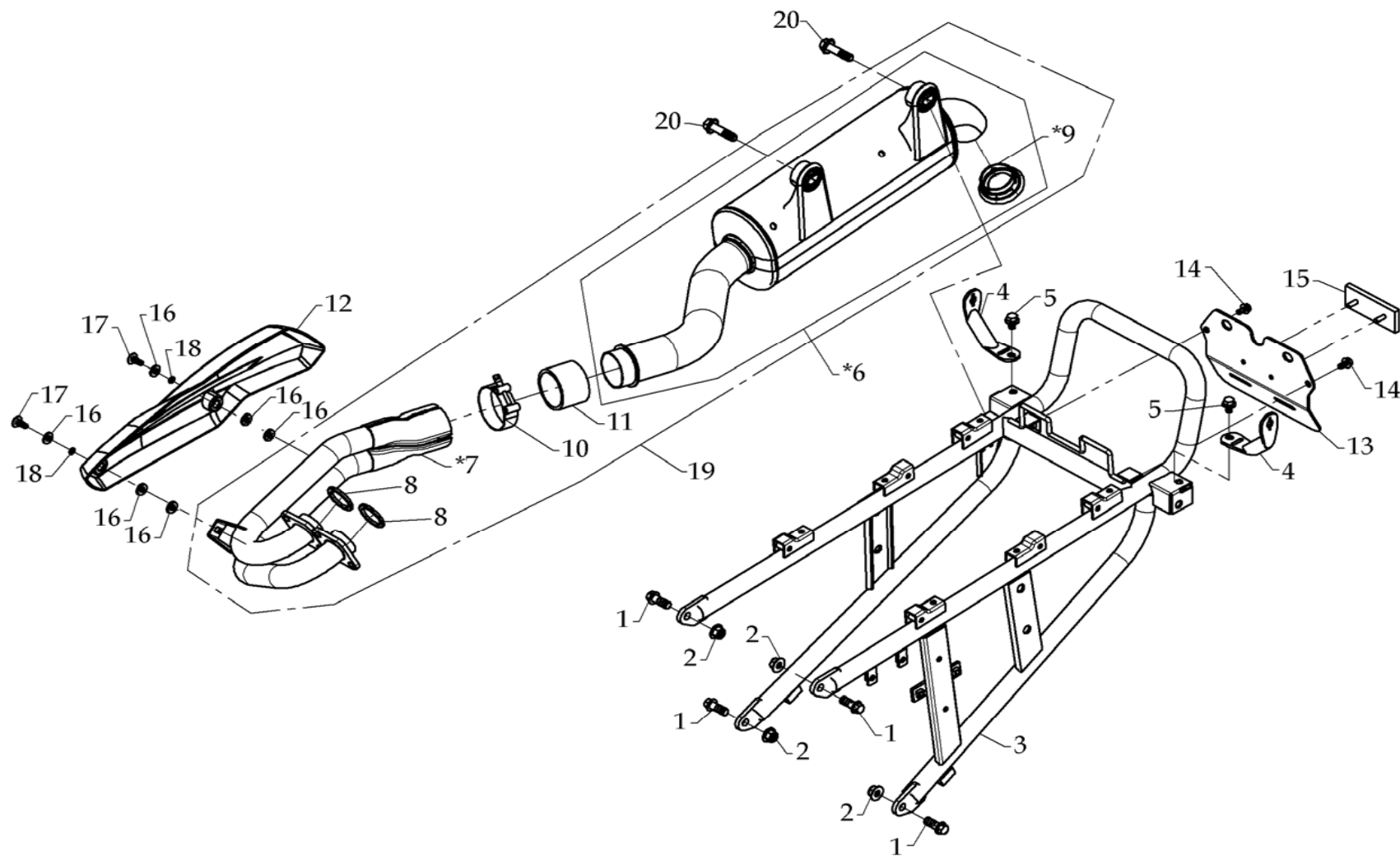
FORNT FRAME



FORNT FRAME

29	A050005-41	HEXAGONAL FLANGE BOLT	M10X1.25X15L	4
30		VIN PLATE		1
31	F150240-41	BRACKET		2

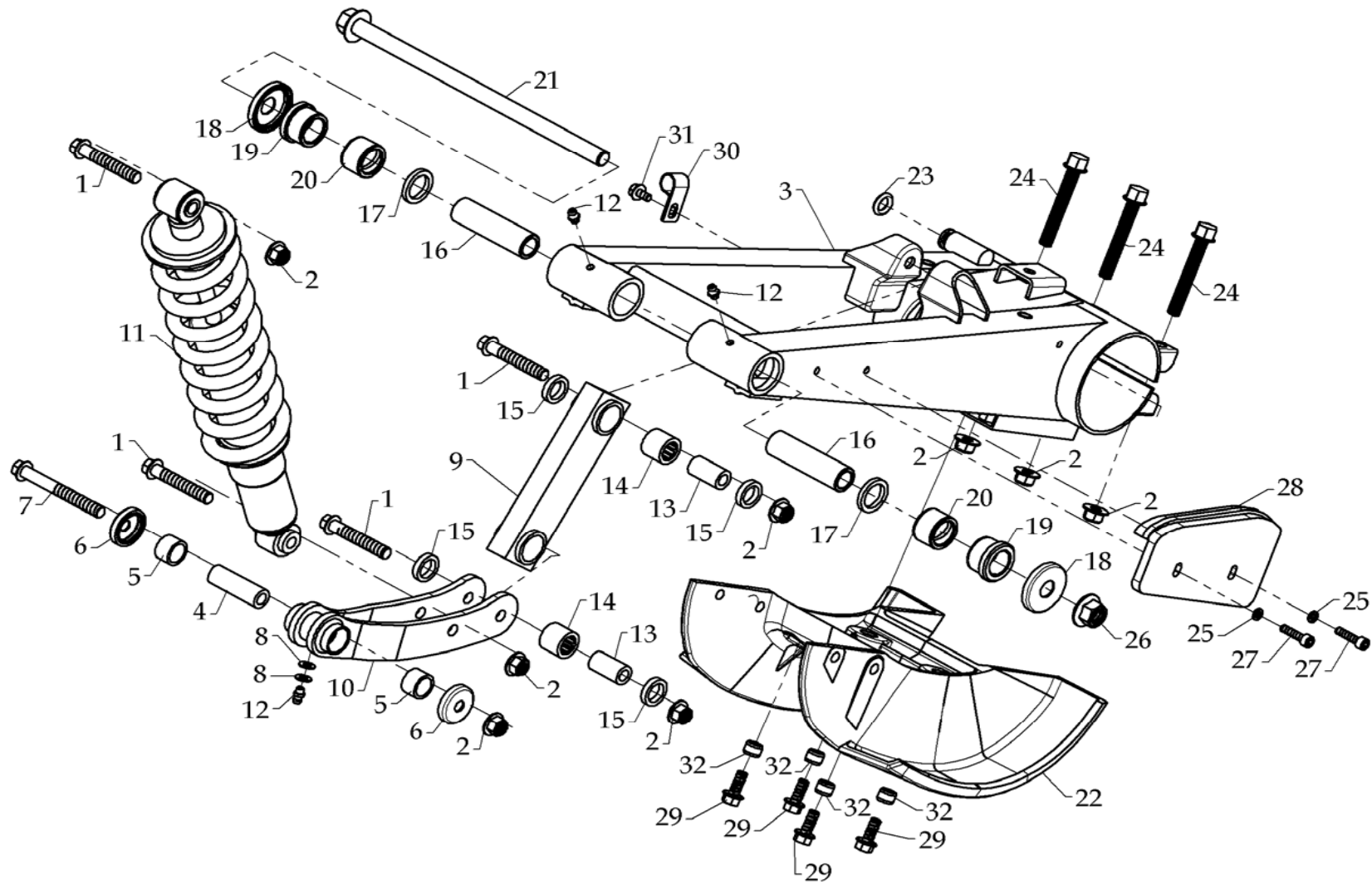
REAR FRAME



REAR FRAME

01	A050201-41	HEXAGONAL FLANGE BOLT	M10X1.25X25L	4
02	A060007-41	LOCK NUT	M10X1.25	4
03	F200018-48	SUB FRAME		1
04	F150196-50	BRACKET, DIRECTIONAL LIGHT		2
05	A050020-41	HEXAGONAL FLANGE BOLT	M8X1.25X12L	2
06	F150233-01	MUFFLER		1
07	F150232-01	EXHAUST PIPE		1
08	F150082-00	GASKET CP, EX PIPE		2
09	F150237-01	SPARK ARRESTER		1
10	F150180-00	CLAMP		1
11	F150181-00	GHAPHITE RING	Ø60XØ51X40L	1
12	F150224-00	PROTECTIVE COVER		1
13	F200012-50	LICENSE PLATE		1
14	A050017-41	HEXAGONAL FLANGE BOLT	M6X1.0X12L	2
15	F020265-00	REFLECTER	RED	1
16	A080108-01	HEAT INSULATE WASHER	Ø7.8XØ16X3t	6
17	A050245-00	HEXAGONAL SOCKET BOLT	M6x1.0x21L	2
18	A040042-00	O RING	P6-Ø1.9XØ5.8	2
19	F150230-01	EXHAUST PIPE ASSY		1
20	A050001-41	HEXAGONAL FLANGE BOLT	M10x1.25x40L	2

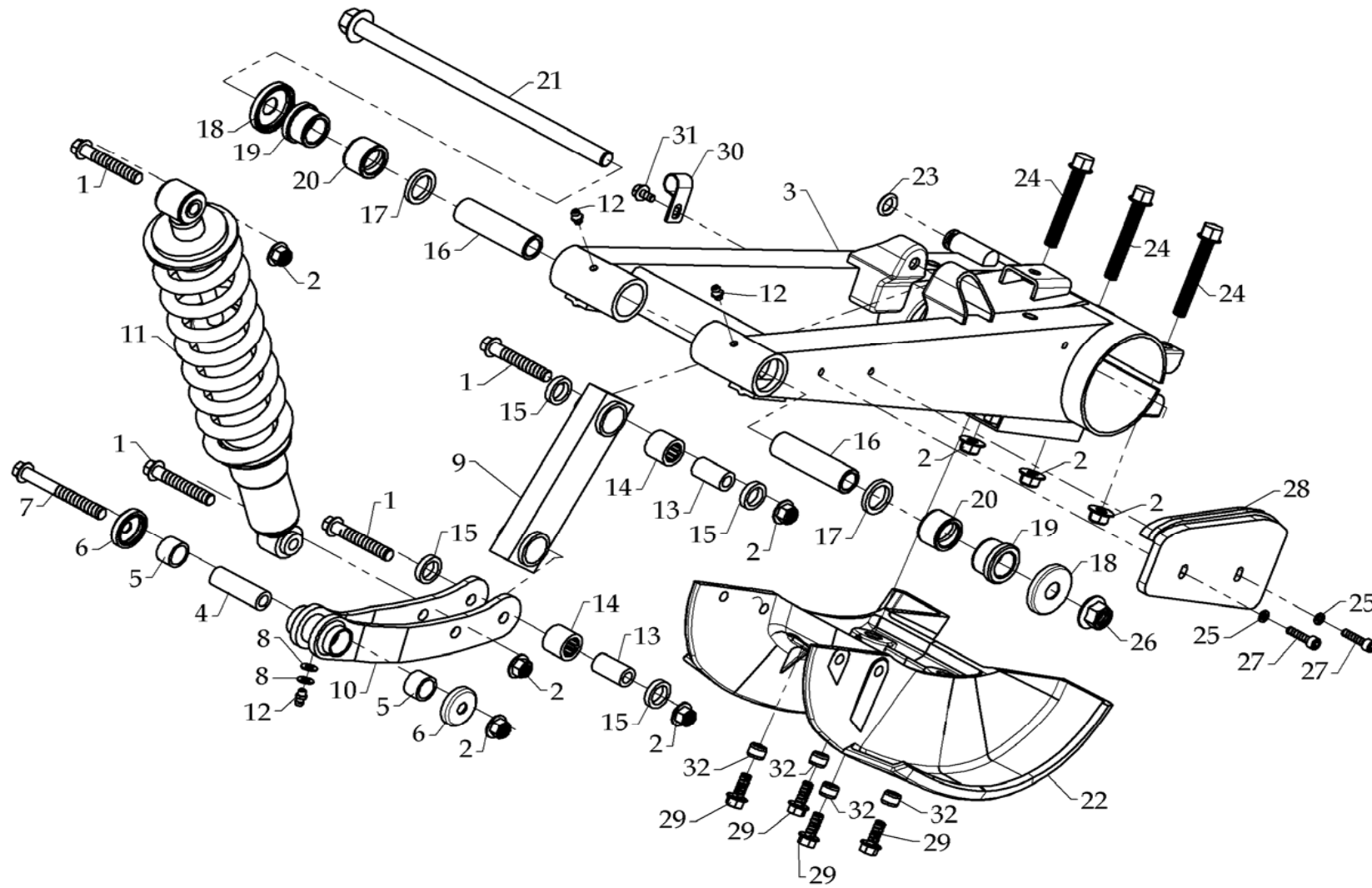
SWING ARM SUB ASS'Y



SWING ARM SUB ASS'Y

01	A050230-41	HEXAGONAL FLANGE BOLT	M10X1.25X60L-10T	4
02	A060007-41	INSERT LOCK NUT	M10X1.25	8
03	F150024H48	SWING ARM		1
04	A090024B00	SPACER	Ø10XØ17X51.3L	1
05	A020001-00	BUSH		2
06	F090041-00	SEAL COVER		2
07	A050229-41	HEXAGONAL FLANGE BOLT	M10X1.25X85L-10T	1
08	A080036-41	PLAIN WASHER	Ø6.5XØ13X1.0t	2
09	F190050-48	REAR LINKAGE		1
10	F150142C48	FRONT LINKAGE		1
11	F150043A00	REAR SUSPENSION		1
12	F020140-00	GREASE NIPPLE		3
13	A090023A00	SPACER	Ø10XØ17X31L	2
14	A010054-00	NEEDLE BEARING	TA1720,Ø24XØ17X20t	2
15	A030033-00	SEAL	VCØ24XØ17X5t	4
16	A090030-00	SPACER	Ø15.5XØ22X77L	2
17	A030030-00	SEAL	TCX4 22X30X4, OS-3704	2
18	A030035-00	SEAL COVER	Ø15.5XØ34.2XØ44X6.2t	2
19	A020008-00	BUSHING		2
20	A020009-00	BUSHING	Ø22XØ30X20L	2
21	A050187-41	HEXAGONAL FLANGE BOLT	M14X1.5LX274L	1
22	F150109A00	PROTECTOR		1
23	A040034-00	O RING	Ø12X4	1
24	A050185-41	HEXAGONAL FLANGE BOLT	M10X1.25X70L	3
25	A080026-41	PLAIN WASHER	Ø6.5XØ19X2t	2
26	A060006-41	LOCK NUT	M14X1.5	1
27	A050029-43	HEX SOCKET BOLT	M6X1.0X25L	2
28	F150110-00	CHAIN GUIDE		1

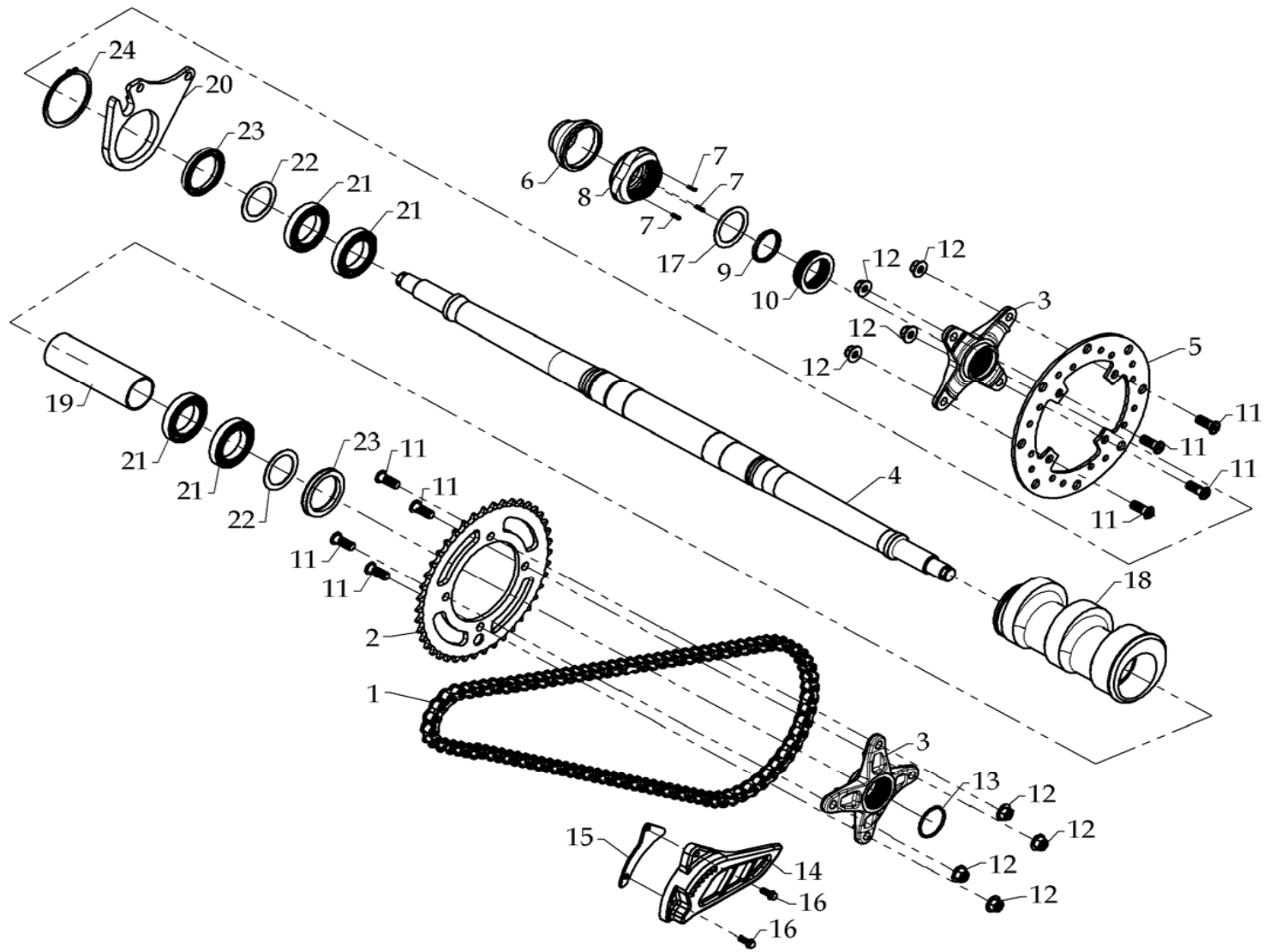
SWING ARM SUB ASS'Y



SWING ARM SUB ASS'Y

29	A050084-41	HEXAGONAL FLANGE BOLT	M8X1.25X20L	4
30	A220011-00	CLAMP	M6	1
31	A050017-43	HEXAGONAL FLANGE BOLT	M6X1.0X12L	1
32	A070040-45	DOWEL PIN		4

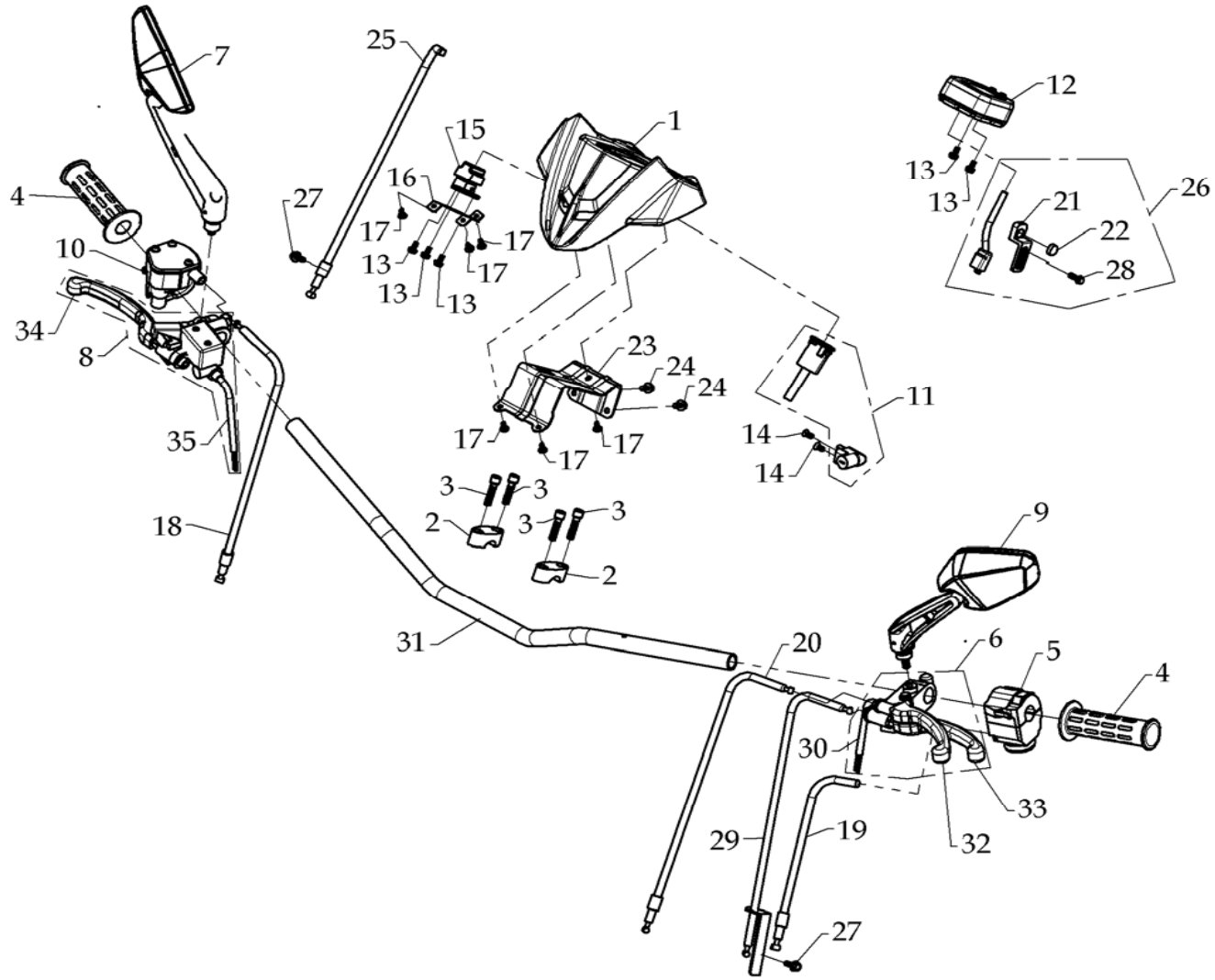
REAR AXLE



REAR AXLE

01	F150041-00	DRIVE CHAIN	520-96 LINKS	1
02	F150029-43	SPROCKET	42TX130	1
03	F150030-44	HOLDER		2
04	F150028-44	REAR AXLE		1
05	F150039-01	DISK,BRAKE	Ø220	1
06	F150033-00	PROTECT COVER		1
07	F150034-43	HEXAGONAL SOCKET BOLT	M4X0.7X12L	3
08	F150035-44	REGULATOR NUT		1
09	F150036-43	REGULATOR RING		2
10	F150037-44	REGULATOR BOLT		1
11	A050203A41	SOCKET BOLT	M10X1.25X26L	8
12	A060007-41	LOCK NUT	M10X1.25	8
13	A100026-41	CIRCLIP		1
14	F150107-00	CHAIN COVER		1
15	F150148-00	CHAIN COVER BRACKET		1
16	A050130-41	HEXAGONAL FLANGE BOLT	M6X1.0X16L	2
17	F150038-41	REGULATOR WASHER		1
18	F150026-00	AXLE ECCENTRIC		1
19	F150025-41	SPACER		1
20	F190060-50	CALIPER HODER		1
21	A010051-04	BEARING,RADIAL BALL	6908LLU	4
22	A080084-41	PLAIN WASHER	54X40X1.0t	2
23	A030031-00	SEAL	48X62X7 mm	2
24	A100022-43	C TYPE CIRCLIP	Ø79.5XØ64X2.5t	1

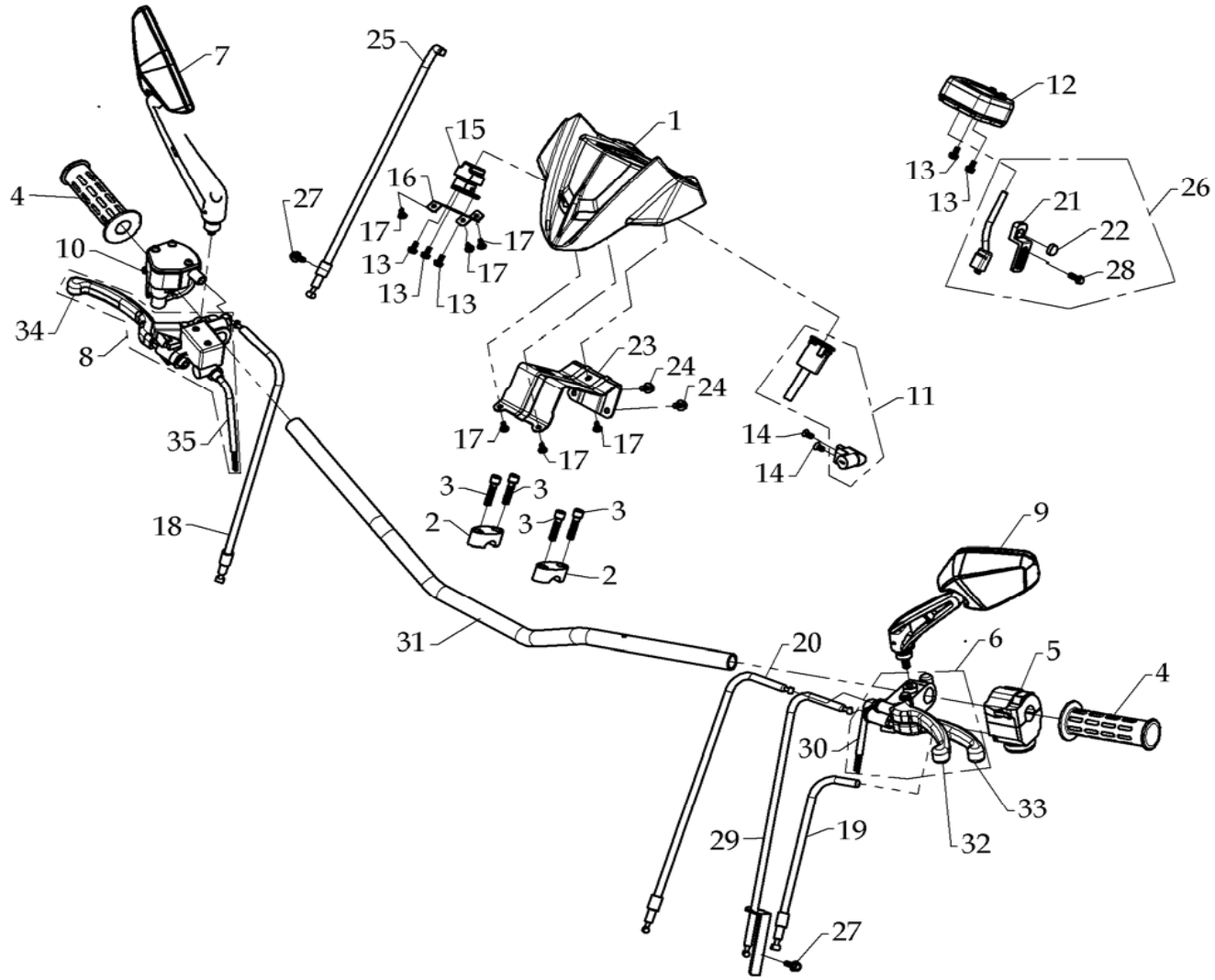
HANDLEBAR



HANDLEBAR

01	F200004-98	SPEEDOMETER COVER		1
02	F150219-00	UPPER HANDLEBAR CLAMP		2
03	A050189-41	SHCS	M8X1.25X30L	4
04	F020167A00	HANDLE GRIP		2
05	A190056A00	LEFT SWITCH ASSY		1
06	A190087-00	LEFT LEVER ASSY		1
07	A160006-00	REAR-VIEW MIRROR, RIGHT		1
08	A190089-00	RIGHT LEVER ASSY		1
09	A160005-00	REAR-VIEW MIRROR, LEFT		1
10	F150161-00	THROTTLE SWITCH	CE	1
11	F150105-00	IGNITION SWITCH		1
12	F150104A00	SPEEDOMETER	DINLI LOGO	1
13	A050095-41	PHILIPS SCREW & WASHER		5
14	A050090-41	BOLT,CROSS COUNTERSINK	M6X1.0X8L	2
15	F190039A00	REVERSE SWITCH ASSY		1
16	F190049-50	BRACKET,REVERSE SWITCH		1
17	A130018-43	TAPPING SCREW	5mmX12L	6
18	F150063-00	THROTTLE CABLE		1
19	F150066-00	CHOKE CABLE		1
20	F190062A00	PARKING BRAKE CABLE		1
21	F150209-00	BASE,SPEEDOMETER WIRE		1
22	F150211-00	MAGNET SENSOR		1
23	F140042A48	BRACKET,SPEEDOMETER COVER		1
24	A050017-43	HEXAGONAL FLANGE BOLT	M6X1.0X12L	2
25	F190040-00	REVERSE CABLE ASSY		1
26	F150103-00	WIRE, SPEEDOMETER		1
27	A050024-41	HEXAGONAL FLANGE BOLT	M6X1.0X16L	2
28	A050023-41	HEXAGONAL BOLT & WASHER	M6X1.0X16L	1

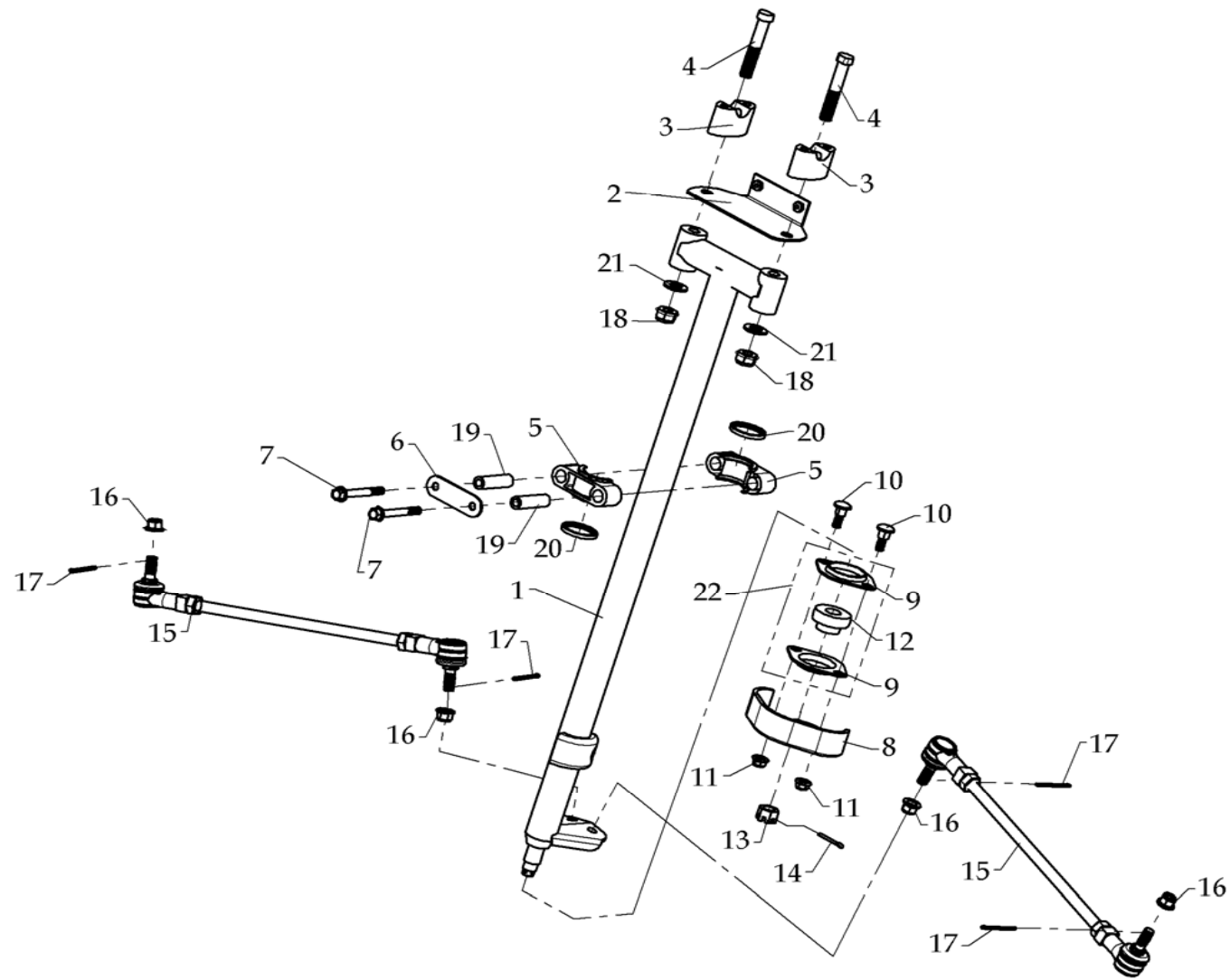
HANDLEBAR



HANDLEBAR

29	F150065-00	CLUTCH CABLE	1
30	A190057-00	CLUTCH SENSOR	1
31	F150067A50	HANDLEBAR	1
32	A190096-00	MANUAL LEVER	1
33	A190097-00	MANUAL LEVER	1
34	F020268-00	MANUAL LEVER	1
35	A190029-00	LIMIT SWITCH	1

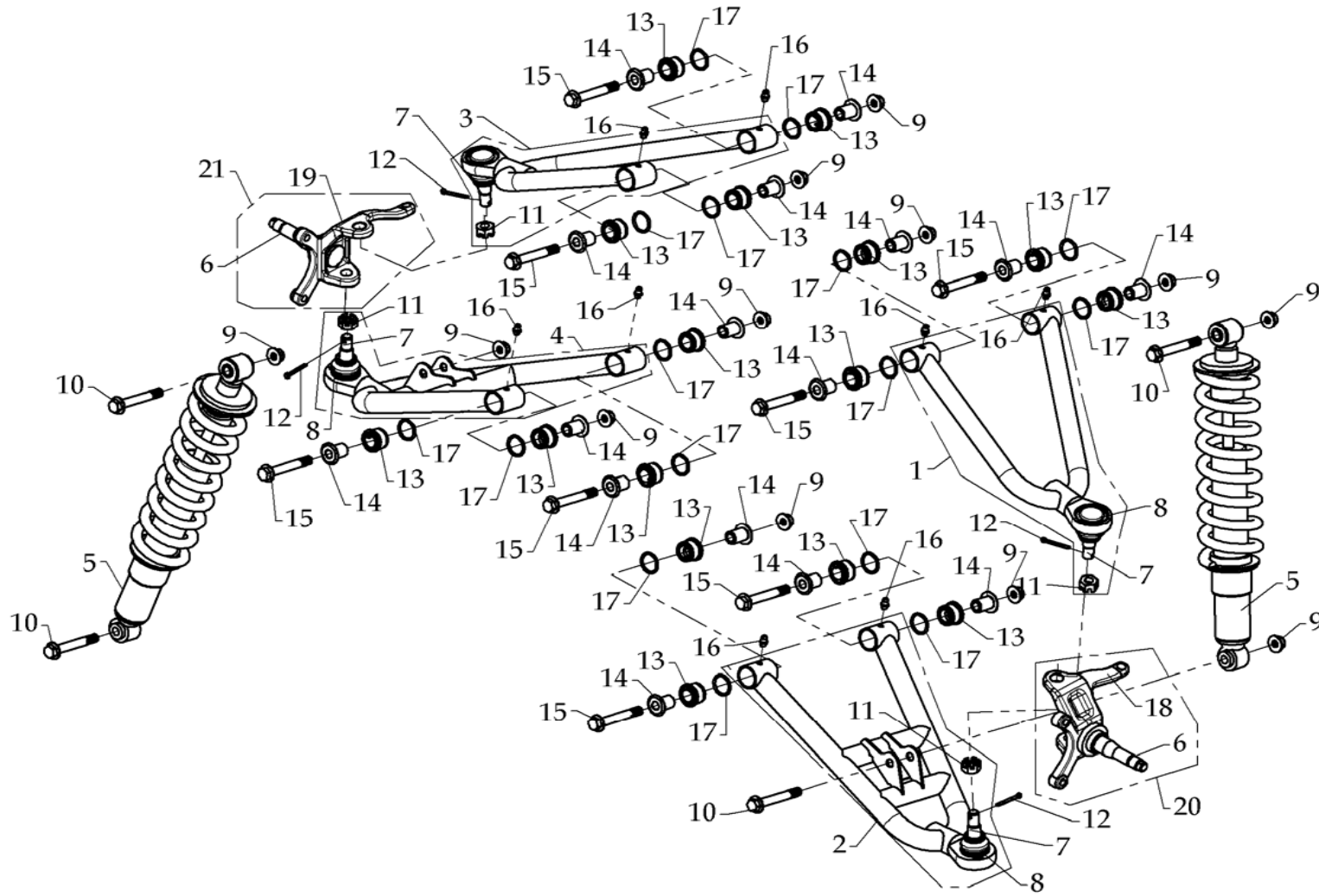
STEERING



STEERING

01	F150047D48	STEERING		1
02	F150164A50	BRACKET,SPEEDOMETER COVER		1
03	F150220-00	LOWER HANDLEBAR CLAMP		2
04	A050228-41	LOCATION BOLT	M12X1.75X70L	2
05	F140019-00	STEERING CLAMP		2
06	F140082-41	FIXED PLATE		1
07	A050010-41	HEXAGONAL FLANGE BOLT	M8X1.25X65L	2
08	F150152A48	CHANGE DIRECTION LIMIT		1
09	F150049-41	BEARING HOLDING		2
10	A050212-41	FLANGE-HEAD BOLT	M8X1.25X25L	2
11	A060014-41	LOCK NUT	M8X1.25	2
12	A010053-00	BEARING	SB203-17	1
13	A060026B42	CADTLE NUT	M14 X1.5	1
14	A070002-41	COTTER PIN	Ø3.2X32L	1
15	F150206-00	STEERING TIE-ROD ASSY.		2
16	A060007-41	LOCK NUT	M10 X1.25	4
17	A070038-00	COTTER PIN	Ø1.8xØ10	4
18	A060072-41	HEXAGONAL FLANGE NUT	M12 X1.75	2
19	F140145-42	SPACER		2
20	A030034-00	SEAL COVER		2
21	A080106-41	WASHER	Ø13.2XØ25X2t	2
22	F150048-41	BEARING HOLDING ASSY		1

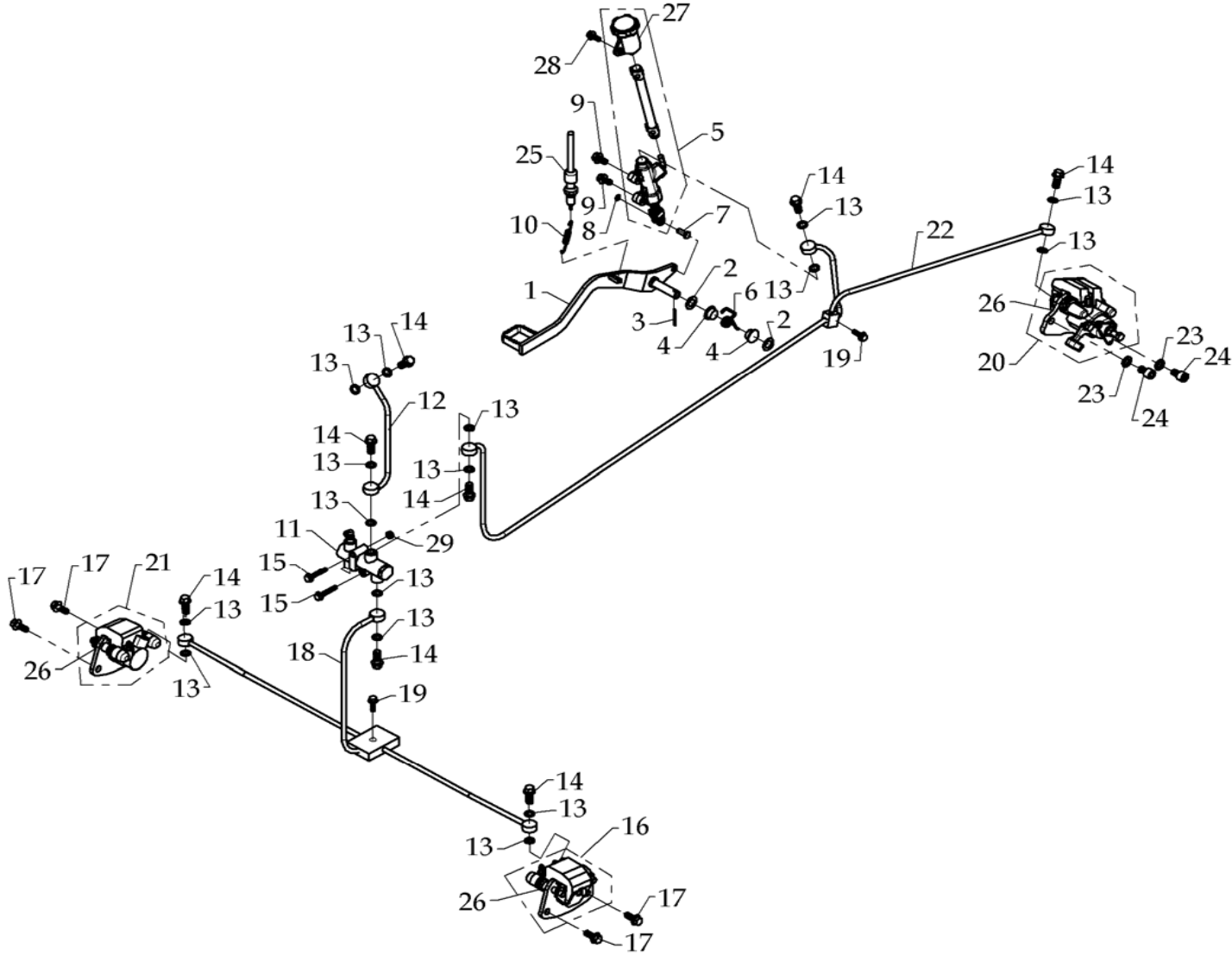
FRONT SUSPENSIONE



FRONT SUSPENSIONE

01	F150014-48	UPPER-LEFT A-ARM		1
02	F150012-48	LOWER-LEFT A-ARM		1
03	F150015-48	UPPER-RIGHT A-ARM		1
04	F150013-48	LOWER-RIGHT A-ARM		1
05	F150042-00	FRONT SHOCK ABSORBER		2
06	F150023A46	KNUCKLE SPINDLE		2
07	F140227-00	BALL JOINT		4
08	A100021-42	CIRCLIP	Ø30mm	4
09	A060007-41	LOCK NUT	M10X1.25	12
10	A050213-41	HEXAGONAL FLANGE BOLT	M10X1.25X50L-8T	4
11	A060068-41	CASTLE NUT	M12X1.25	4
12	A070002-41	COTTER PIN	Ø3.2X32L	4
13	A090031A00	INTERNAL BUSHING		16
14	A090032A43	EXTERIOR BUSHING		16
15	A050185-41	HEXAGONAL FLANGE BOLT	M10X1.25X70L	8
16	F020140-00	GREESE NIPPLE		8
17	A040040-00	O RING	P22	16
18	F150021B42	LEFT KNUCKLE		1
19	F150022B42	RIGHT KNUCKLE		1
20	F150019A46	LEFT KNUCKLE ASSY		1
21	F150020A46	RIGHT KNUCKLE ASSY		1

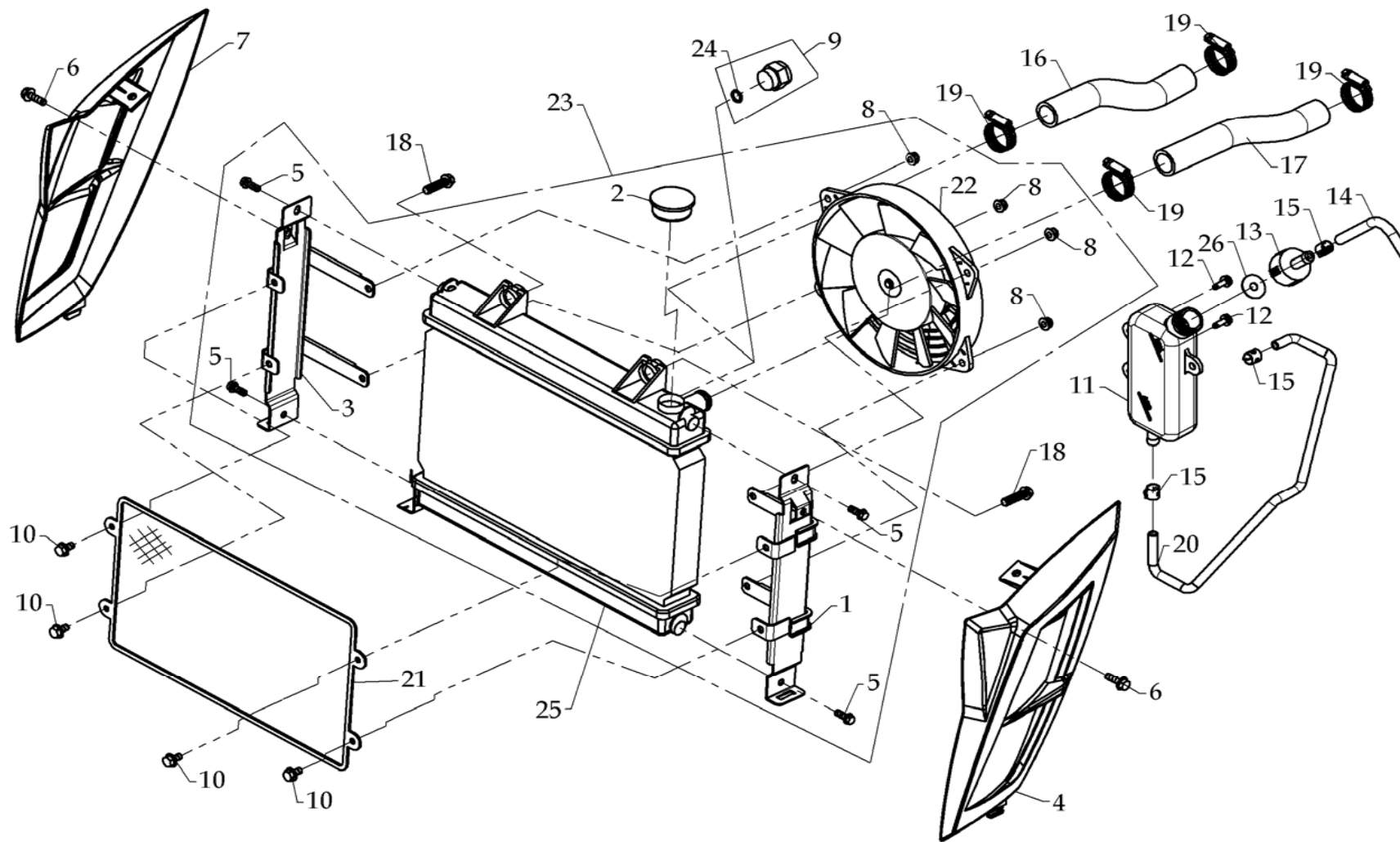
BRAKE SYSTEM



BRAKE SYSTEM

01	F150044B48	BRAKE PEDAL		1
02	A080086-41	WASHER	Ø13xØ22x0.8t	2
03	A070011-41	COTTER PIN	Ø2.8X32L	1
04	F150046-00	BUSHING		2
05	F150158-02	BRAKE CYLINDER ASSY		1
06	A110035-42	TORSION SPRING		1
07	A070021-42	PIN	Ø7x15	1
08	A100016-43	E CLIP		1
09	A050049-41	HEXAGONAL FLANGE BOLT	M8X1.25X16L	2
10	A110034-00	TORSION SPRING, BRAKE SENSOR		1
11	A220015-00	PRESSURE VALVE	Ø14	1
12	F150200-01	BRAKING HOSE		1
13	A080011-00	PLAIN WASHER	Ø10.3xØ15x1.5	16
14	A050009-44	HEXAGONAL FLANGE BOLT	M10X1.25X22L	8
15	A050069-41	BOLT, FLANGE	M6X1.0X40L	2
16	F150010-00	FRONT BRAKE CALIPER, LEFT		1
17	A050197-41	HEXAGONAL FLANGE BOLT	M8X1.0X21L	4
18	F190056-01	FRONT THREE-WAY BRAKING HOSE		1
19	A050030-43	HEXAGONAL FLANGE BOLT	M6X1.0X20L	2
20	F190059-00	REAR CALIPER		1
21	F150011-00	FRONT BRAKE CALIPER, RIGHT		1
22	F190058-01	REAR THREE-WAY BRAKING HOSE		1
23	A080082-41	PLAIN WASHER	Ø10.5xØ18x2t	2
24	A050216-41	SOCKET BOLT	M10x1.25x15L	2
25	A190054-00	BRAKE SENSOR		1
26	F140239-00	PAD,DISK BRAKE		3
27	A160008-00	BROKE RESERVOIR		1
28	A050024-41	HEXAGONAL FLANGE BOLT	M6X1.0X16L	1
29	A060053-41	INSERT LOCK NUT	M6X1.0	1

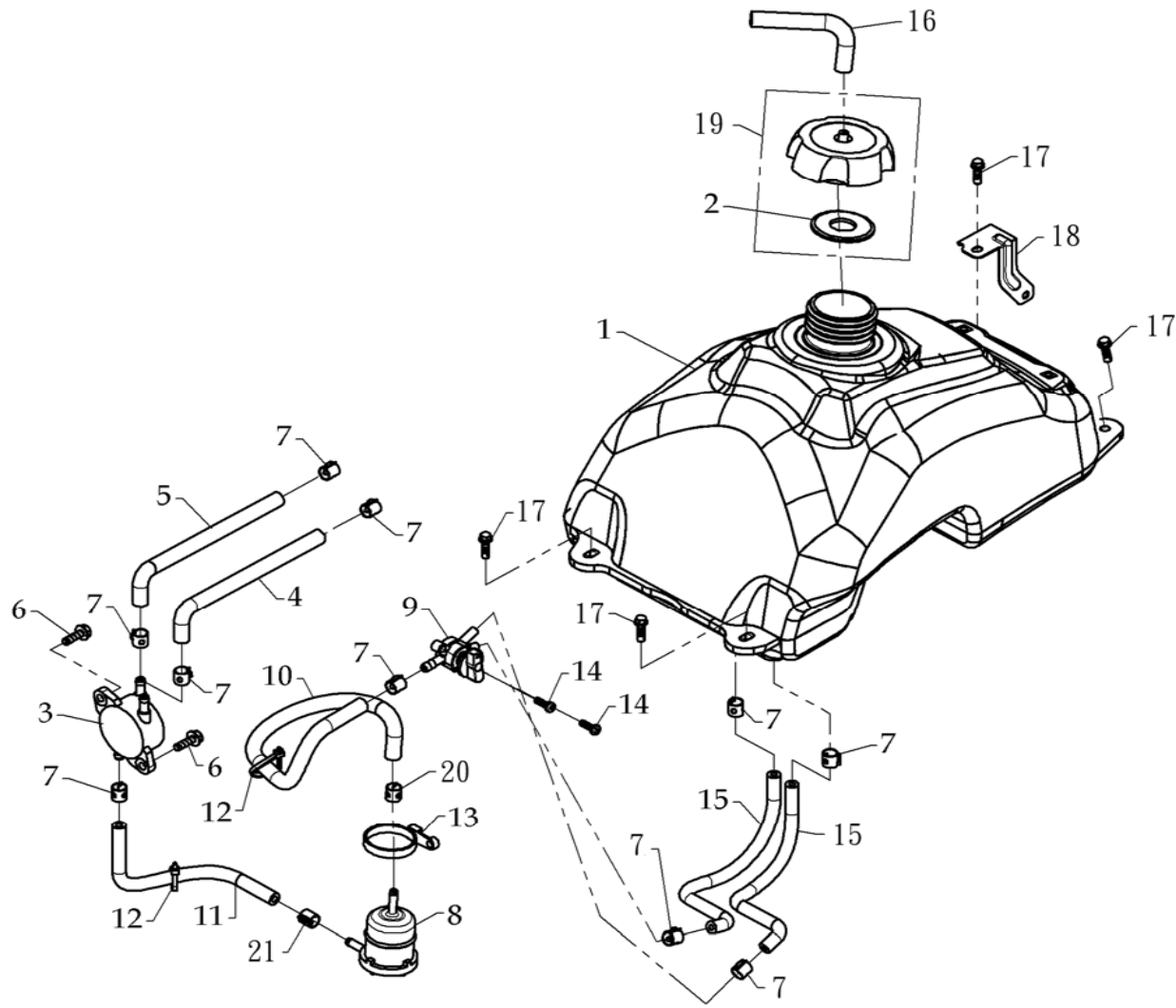
COOLING SYSTEM



COOLING SYSTEM

01	F150188-50	LEFT COVER BRACKET		1
02	F150059-00	PRESSURE CAP		1
03	F150189-50	RIGHT COVER BRACKET		1
04	F150098-98	LEFT COVER,PROTECT		1
05	A050023-41	HEX BOLT	M6X1.0X16L	4
06	A050030-43	HEXAGONAL FLANGE BOLT	M6X1.0X20L	2
07	F150099-98	RIGHT COVER,PROTECT		1
08	A060053-41	INSERT LOCK NUT	M6X1.0	4
09	A190099-00	COOLING SENCER	80 ONX70 OFF	1
10	A050017-43	HEXAGONAL FLANGE BOLT	M6X1.0X12L	4
11	F140080-00	COOLANT RESERVOIR		1
12	A050156-43	PANHEAD SCREW & WASHER	M6X1.0X16L	2
13	F140087A15	RESERVOIR CAP		1
14	F020145-00	HOSE		1
15	A220010-00	FUEL TUBE	Ø11X8X0.7t	3
16	F150118-00	COOLANT HOSE	Ø12XØ19X170	1
17	F150058-00	COOLANT HOSE	Ø12XØ19X215	1
18	A050186-41	HEXAGONAL FLANGE BOLT	M8X1.25X28L	2
19	F150146-00	CLAMP	Ø30~Ø40	4
20	A220035-00	HOSE	Ø7XØ11X520L	1
21	F150185-50	RADIATOR PROTECTOR		1
22	F170070-00	FAN ASSY		1
23	F150167B00	RADIATOR ASSY		1
24	A040041-00	O RING	P10	1
25	F150057A00	RADIATOR		1
26	F140223-00	WATER TANK RUBBER		1

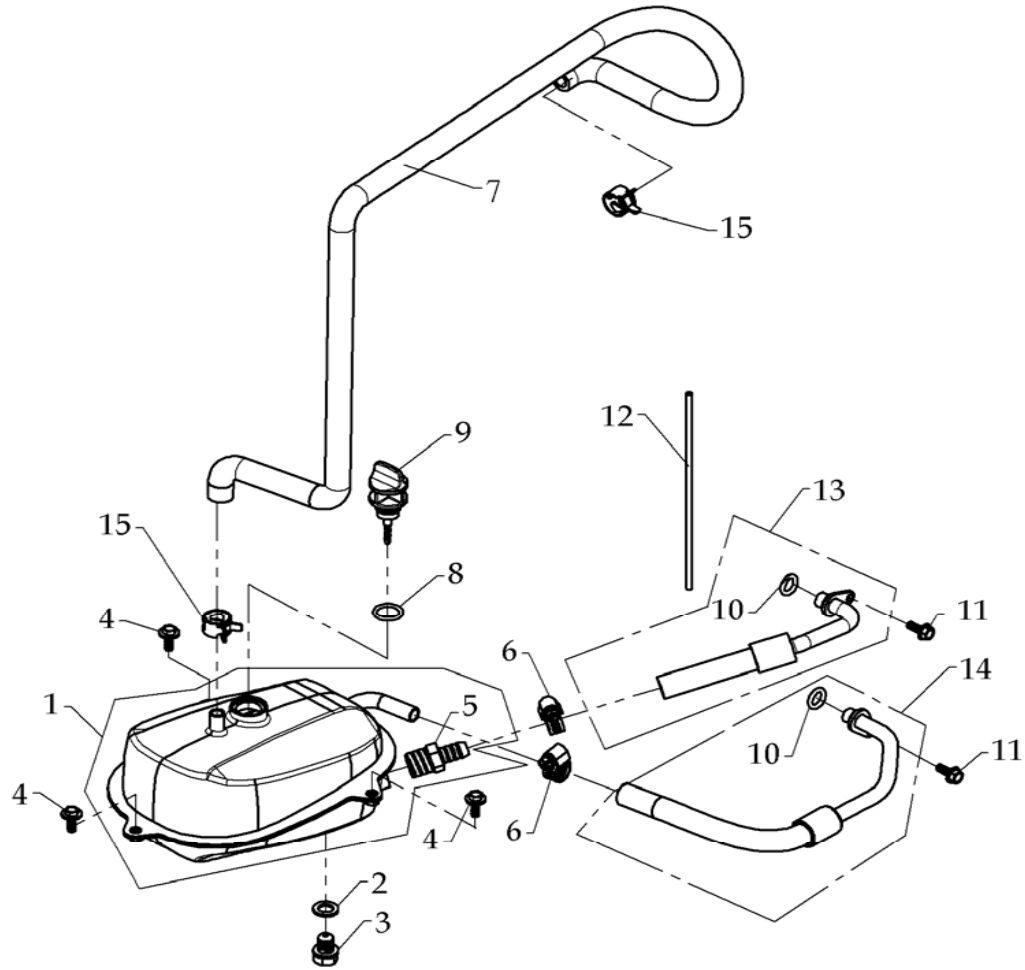
FUEL TANK



FUEL TANK

01	F150212-00	FULE TANK		1
02	F140229-00	GASKET		1
03	290-62201-00	FUEL PUMP ASSY		1
04	F150114-00	TUBE	Ø6XØ13X640L	1
05	F150117-00	TUBE	Ø5XØ13	1
06	A050030-43	HEXAGONAL FLANGE BOLT	M6X1.0X20L	2
07	F020196-00	FUEL TUBE	Ø12X0.8t	10
08	F150223-00	FUEL FILTER ASSEMBLY		1
09	A240003-00	FUEL VALVE		1
10	A220038-00	TUBE		1
11	A220026-00	TUBE		1
12	F020188-00	STRAP		2
13	A160007-00	STRAP	TCV-400	1
14	A050031-41	PAN HEAD BOLT	M5X0.8X16L	2
15	A220039-00	TUBE		2
16	F020145-00	BREATHE TUBE	190L	1
17	A050063-41	HEX BOLT	M6X1.0X20L	4
18	F150214-48	BRACKET		1
19	F140030-00	FUEL TANK CAP		1
*	F140300-00	FUEL TANK CAP		1
*	F150246-00	FUEL TANK CAP		1
20	F020197-00	FUEL TUBE	9.2X0.6	1
21	A220010-00	FUEL TUBE	Ø11X8X0.7t	1

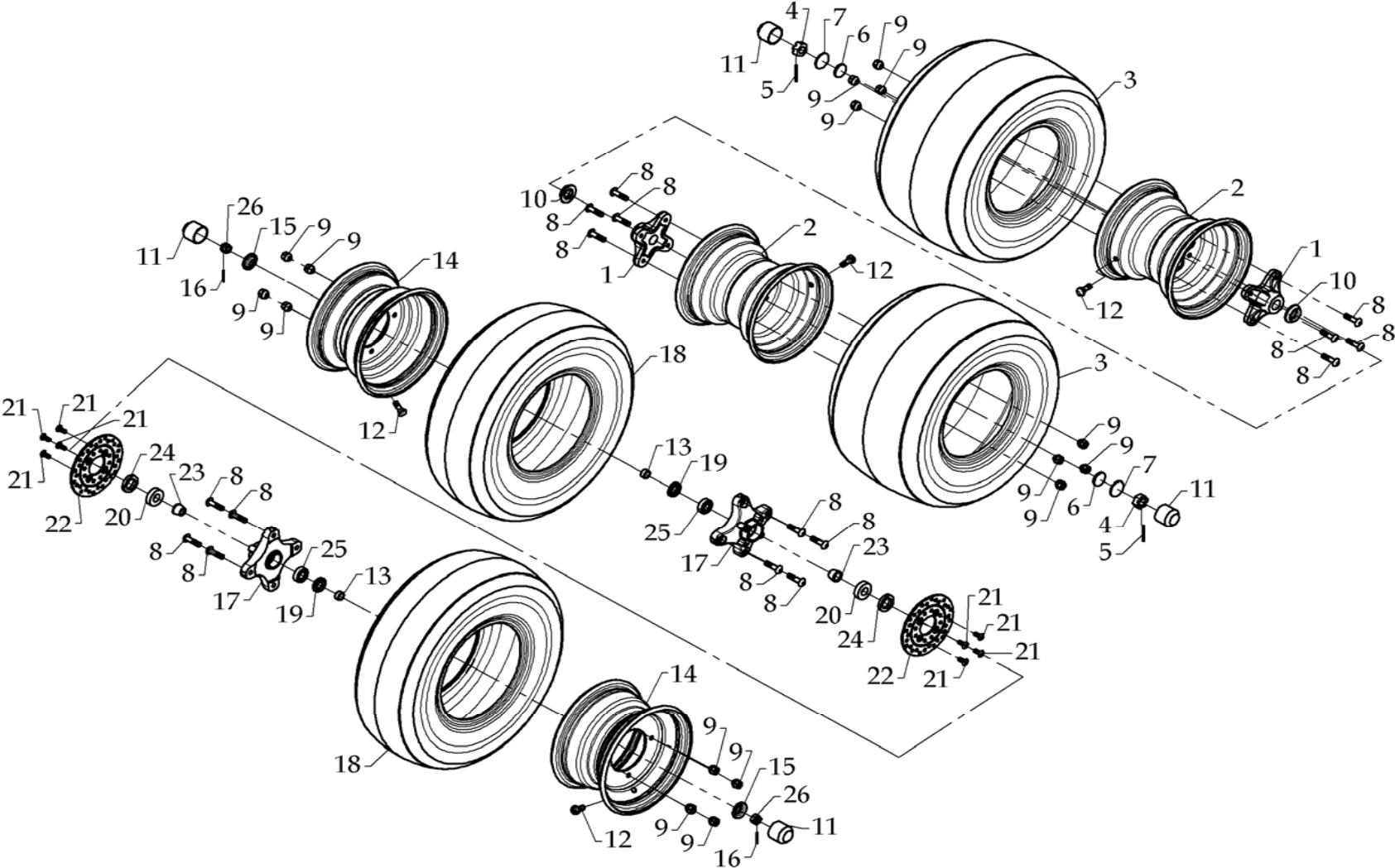
OIL TANK



OIL TANK

01	F150054-50	OIL TANK		1
02	A080052-00	PLAIN WASHER	Ø12.2XØ20X2t	1
03	A050071-41	DRAINAGE PLUG	M12X1.5X15L	1
04	A050022-41	HEX BOLT	M6X1.0X18L	3
05	F150056-00	OIL FILTER	#40	1
06	F150127-41	TUBE CLIP	Ø13-26mm	2
07	F150135B00	TUBE	Ø12XØ20X1230L	1
08	A040020-00	O RING	18X3	1
09	F150247-00	OIL LEVEL GAUGE		1
10	A040027-00	O RING	Ø12XØ3.6	2
11	A050024-41	HEXAGONAL FLANGE BOLT	M6X1.0X16L	2
12	F150116-00	TUBE	Ø6XØ10X350	1
13	F150136-01	OIL TUBE	Ø12xØ19	1
14	F150213-00	OIL TUBE	Ø12xØ19	1
15	A220020-41	TUBE CLIP	Ø17x12X1.0t	2

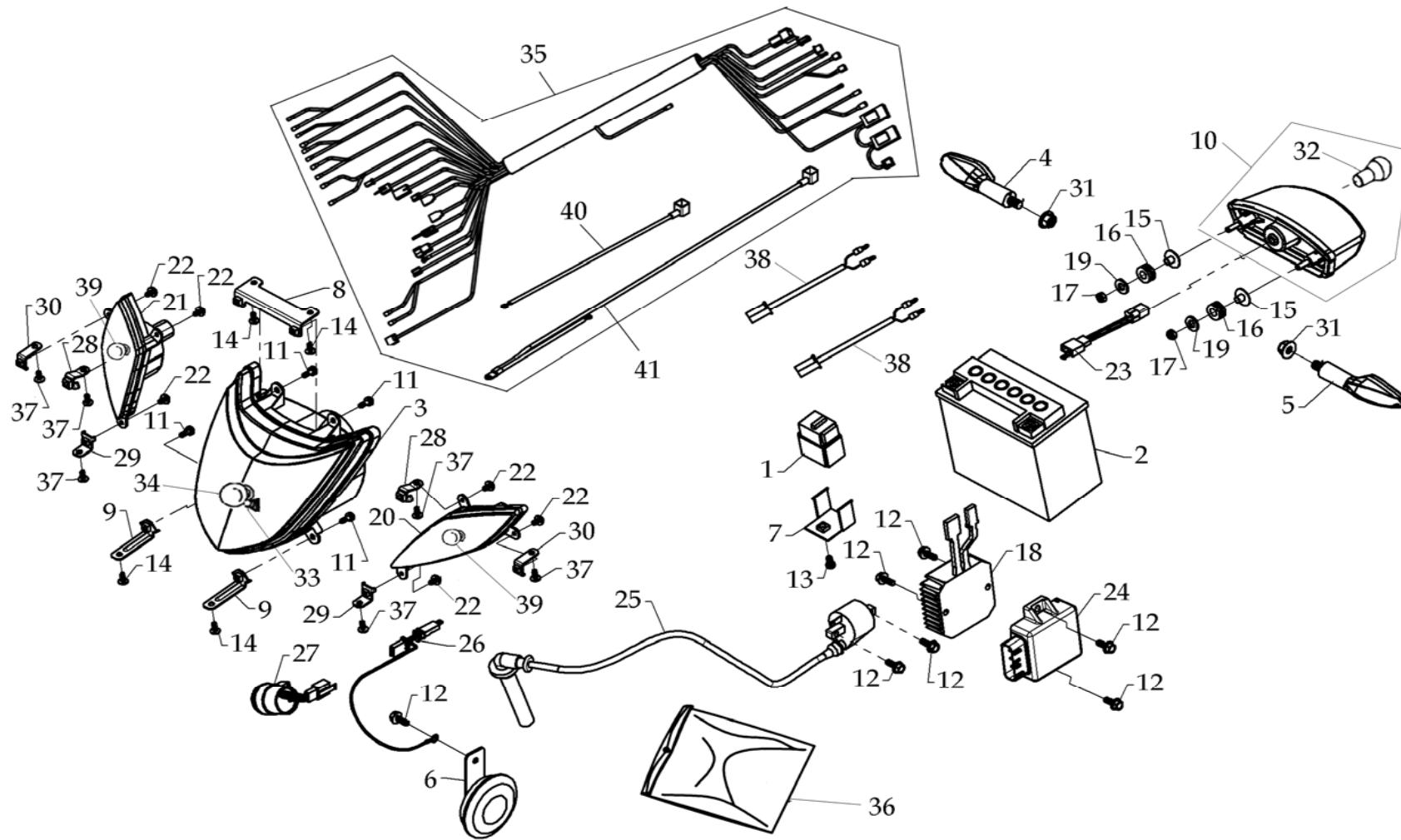
WHEEL



WHEEL

01	F150006-53	SHAFT CONNECTER		2
02	F150002-49	RIM	9X8.5	2
*	F150166-00	RIM	9X8.5	2
03	F150009-01	TIRE	20X11-9"	2
04	A060058-42	CADTLE NUT	M20 X1.5	2
05	A070031-41	COTTER PIN	Ø3.5X45L	2
06	A080091-41	PLAIN WASHER	Ø21XØ34X4t	2
07	A080092-41	PLAIN WASHER	Ø20.2XØ40X2.5t	2
08	A050208-41	BOLT	M10X1.25X40L	16
09	A060061-41	LOCK NUT	M10X1.25	16
10	F150032-44	SPACER		2
11	F020153-00	RUBBER CAP		4
12	F020154-00	RIM VALVE		4
13	A090027-45	SPACER	Ø15XØ20X10.5t	2
14	F150001-49	RIM	10X5.5	2
*	F150165-00	RIM	10X5.5	2
15	F020478-42	SEAT, RUBBER CAP		2
16	A070002-41	COTTER PIN	Ø3.2X32L	2
17	F150005A53	SHAFT CONNECTER		2
18	F150008-01	FRONT WHEEL	21X7-10"	2
19	A030016-00	SEAL	TC 20X35X7	2
20	A010025-04	SEALED BEARING	6004LU	2
21	A050183-41	FHSC	M8X1.25X17L	8
22	F150003A00	DISK,BRAKE	Ø160	2
23	F150004-41	SPACER		2
24	A030029-00	SEAL	TC 28X42X7t	2
25	A010021-04	SEALED BEARING	6202LU	2
26	A060004-42	CASTLE NUT	M14X1.5-II	2

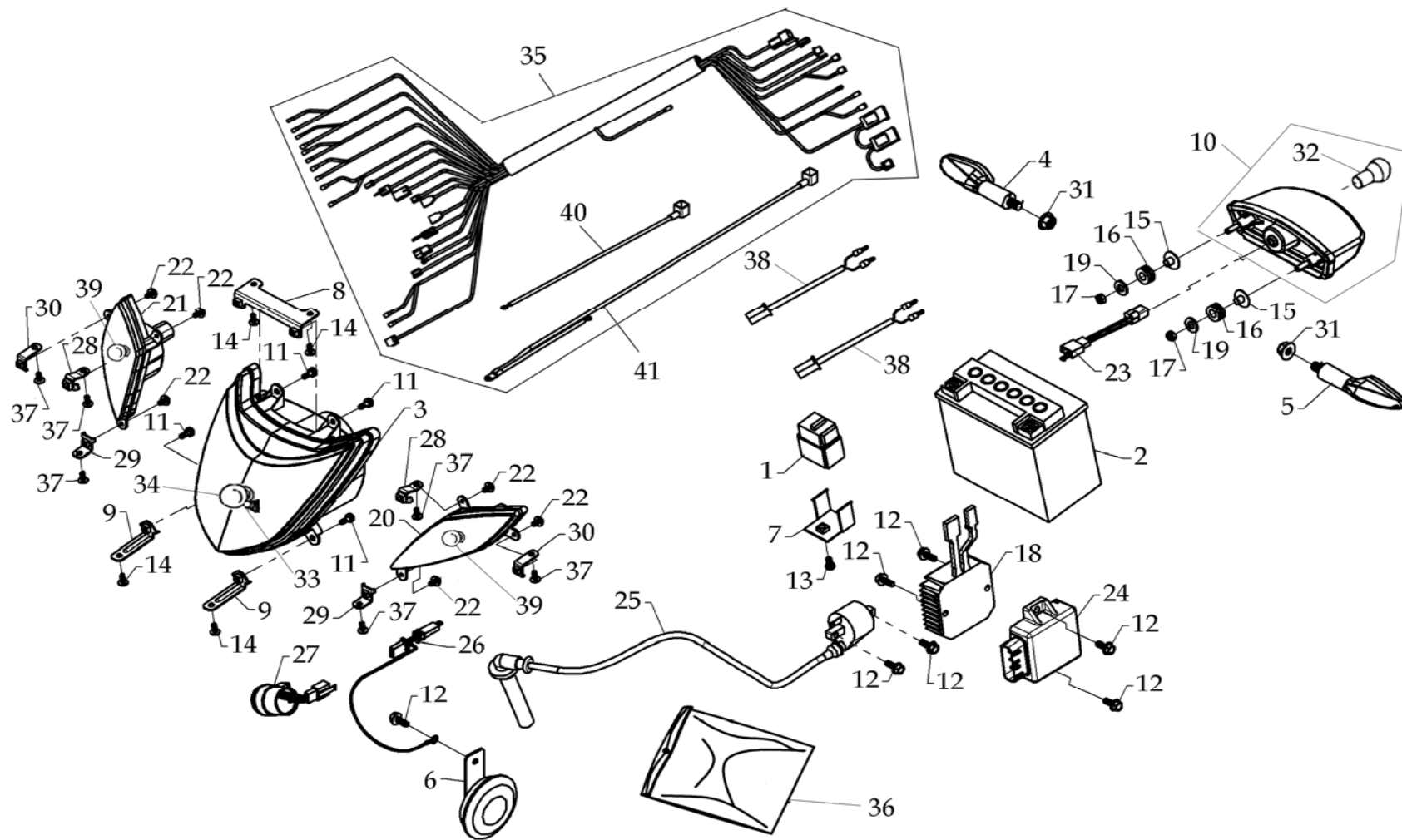
ELECTRIC SYSTEM



ELECTRIC SYSTEM

01	A190061-00	STARTER RELAY		1
02	A190062-00	BATTERY	14Ah	1
03	A180080A00	HEAD LIGHT		1
04	A180078-00	DIRECTIONAL SIGNAL	LED	1
05	A180079-00	DIRECTIONAL SIGNAL	LED	1
06	A190083-00	HORN		1
07	F170042-50	BRACKET,STARTER RELAY		1
08	A230079-50	BRACKET,HEAD LIGHT		1
09	A230080-50	BRACKET,HEAD LIGHT		2
10	A180077-00	TAIL LIGHT	LED	1
11	A050100-43	PHILIPS SCREW WITH WASHER	M5X0.8X15L	4
12	A050024-41	HEXAGONAL FLANGE BOLT	M6X1.0X16L	7
13	A050043-41	PHILIPS SCREW	M6X1.0X12L	1
14	A130018-43	TAPPING SCREW	5mmX12L	4
15	F140079-42	T TYPE BUSH		2
16	F140156-00	DAMPER		2
17	A060053-41	INSERT LOCK NUT	M6X1.0	2
18	A190088-00	REGULATION	270W	1
19	A080068-41	PLAIN WASHER	Ø9XØ18X2t	2
20	A180028-02	FRONT TURN SIGNAL	LEFT	1
21	A180029-02	FRONT TURN SIGNAL	RIGHT	1
22	A050159-41	PHILIPS SCREW WITH WASHER	M5X0.8X10L	6
23	A180067-00	CABLE,TAILLIGHT		1
24		CDI	see engine parts manual	1
25		IGNITION COIL	see engine parts manual	1
26	A180066-00	RELAY CONNECTOR CABLE		1
27	A190092-00	FLASH RELAY		1
28	A230074-50	BRACKET, DIRECTIONAL LIGHT		2

ELECTRIC SYSTEM



ELECTRIC SYSTEM

29	A230075-50	BRACKET, DIRECTIONAL LIGHT		2
30	A230076-50	BRACKET, DIRECTIONAL LIGHT		2
31	A060010-41	HEXAGONAL FLANGE NUT	M10x1.25	2
32	A180053-00	BULB	P21/5W(E-Mark)	1
33	A180049-00	BULB	12V-5W(E-Mark)	1
34	A180055-00	BULB	12V-35/35W HS1(E-Mark)	1
35	F150102A00	MAIN CABLE ASSY'		1
36	F150155-00	TOOL KIT		1
37	A050096-41	PHILIPS SCREW	M4X0.7X12L	6
38	A180064-00	DIRECTIONAL LIGHT CABLE		2
39	A180083-00	BULB	12V/10W,YELLOW	2
40		LEAD,STARTER MOTOR		1
41		WIRE,NOGETIVE POLE		1

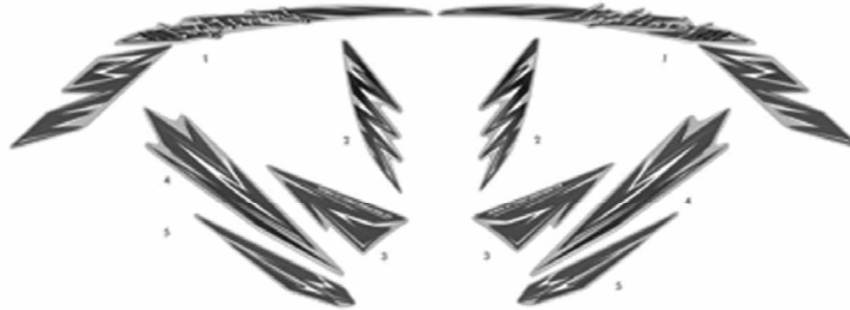
STICKERS



3



2



1

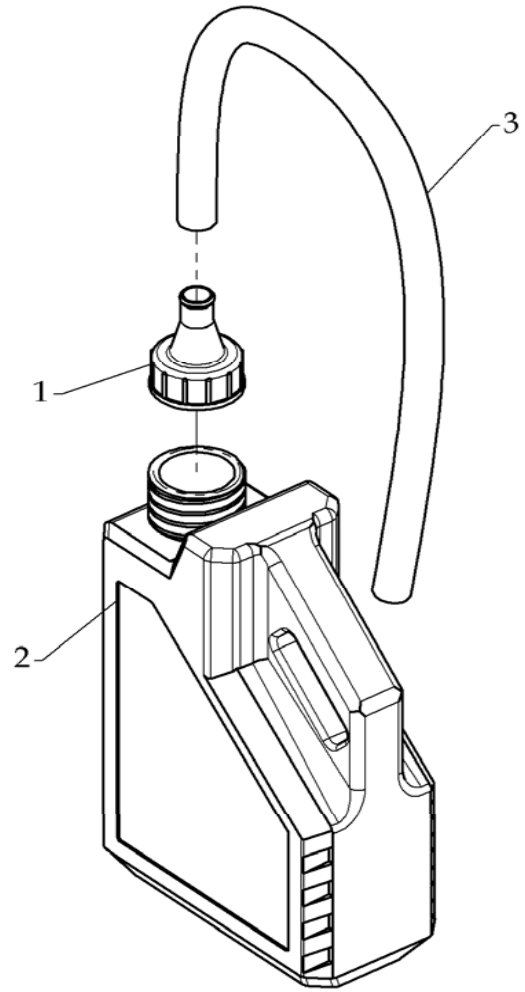


4

STICKERS

01	A990246-98	STYLING STICKERS	1
02	A990234-00	STICKER, TIRE PRESSURE	1
03	A990214-00	STICKER, WARNING SIGN	1
04	A990210-00	STICKER, RESERVOIR	1

COOLING WATER



COOLING WATER

01	F140262-00	FULL CAP		1
02	F150203-00	COOLING WATER	2L	1
03	F140264-00	TUBE	Ø15XØ18X680L	1